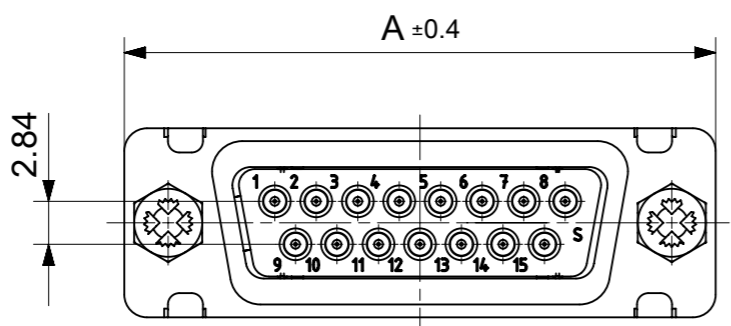
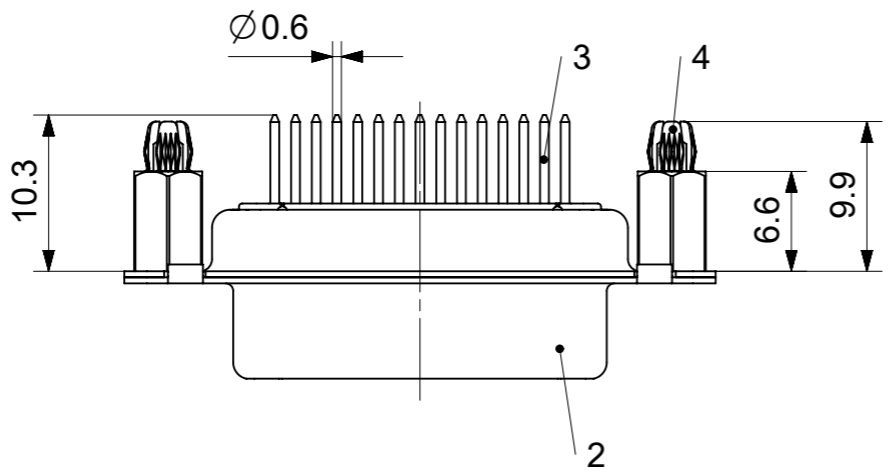
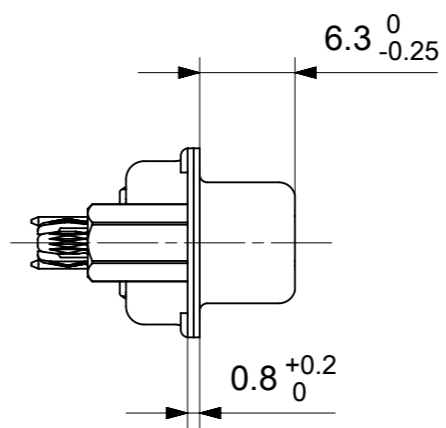
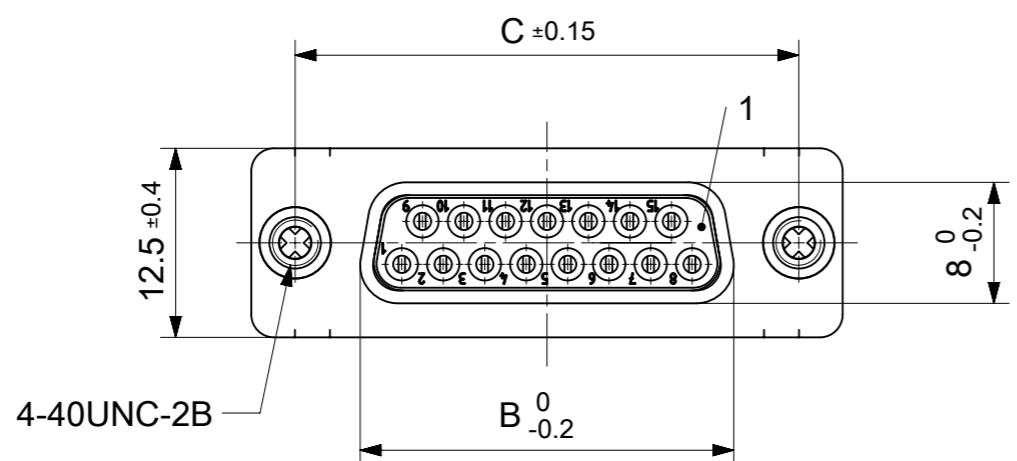


RoHS compliant
by exemption



FCT Part number:
Fxx*1)S1y*2)-0982
e.g. F15S1G1-0982
*1) xx No. of contacts 09, 15, 25 or 37
*2) y for performance classes 1, 2 or 3
(contact cycle for G1/G2/G3 = 500/200/50)

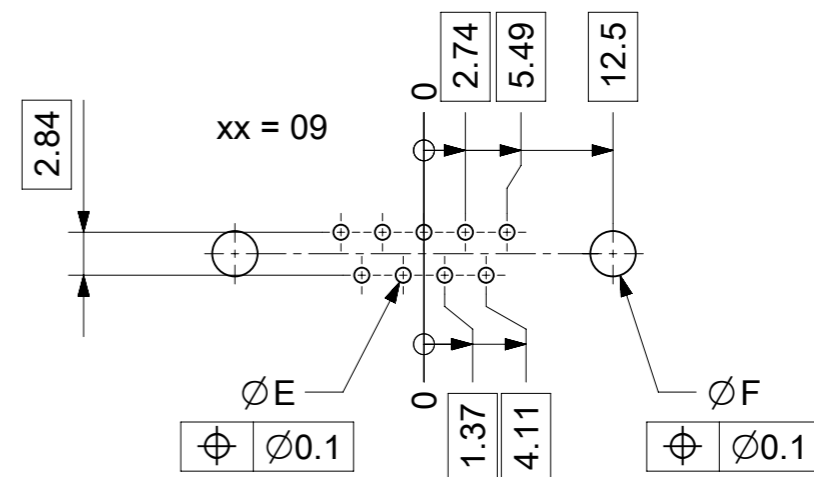
Material Number	xx*1)	y*2)	A[mm]	B[mm]	C[mm]	*E[mm]	*F[mm]
1731090074	09	G1	30.8	16.4	25	Ø1	Ø3
1731090151		G2					
1731090078	15	G1	39.1	24.7	33.3		
1731090152		G2					
1731090143	25	G1	53	38.5	47.04		
1731090153		G2					
1731090144	37	G1	69.3	54.9	63.5		

*PCB hole patterns ØE, ØF see document 2195600023

No.	Pc.	Part	Type Description/Material	Surface plating/Color/Class
4	2	Snap-in bolt	PCB 1.6mm / Brass	tin plated
3	xx	Signal contact	S1 / Brass	G1 / G2
2	1	Shell	Steel	tin plated
1	1	Insulator	PBT (-55°C to +125°C) acc. UL94V-0	white

MEASUREMENTS WITHOUT TOLERANCE ACC TO ISO 2768-m REPLACEMENT FOR DOCUMENT NUMBER: FxxS1Gy-0982

FUNCTIONAL SYMBOLS	THIS DRAWING CONTAINS INFORMATION THAT IS PROPRIETARY TO MOLEX ELECTRONIC TECHNOLOGIES, LLC AND SHOULD NOT BE USED WITHOUT WRITTEN PERMISSION	CURRENT REV DESC:		molex				
	<table border="1"> <tr> <th>DIMENSION UNITS</th> <th>SCALE</th> </tr> <tr> <td>mm</td> <td>2:1</td> </tr> </table>	DIMENSION UNITS	SCALE		mm	2:1	EC NO: 707726	
	DIMENSION UNITS	SCALE						
	mm	2:1						
GENERAL TOLERANCES (UNLESS SPECIFIED)		DRWN: SKANDB 2021/12/03						
ANGULAR TOL ± °		CHK'D: MTEUBEL 2022/05/25						
DIVISIONAL SYMBOLS	4 PLACES ±		APPR: MTEUBEL 2022/05/25	PRODUCT CUSTOMER DRAWING				
	3 PLACES ±		INITIAL REVISION:					
	2 PLACES ±		DRWN: SKANDB 2021/12/03					
	1 PLACE ±		APPR: MTEUBEL 2022/05/25					
0 PLACES ±		DOCUMENT NUMBER: 1731090074		DOC TYPE: PSD				
DRAFT WHERE APPLICABLE MUST REMAIN WITHIN DIMENSIONS		FIRST ANGLE PROJECTION	DRAWING: A3-SIZE	SERIES: 173109				
		MATERIAL NUMBER: SEE TABLE	CUSTOMER: GENERAL MARKET	REVISION: A				
		SHEET NUMBER: 1 OF 1						



ØE, ØF see data sheet incl. connector
 ØF connectors with accessories only

MEASUREMENTS WITHOUT TOLERANCE ACC TO ISO 2768-m				REPLACEMENT FOR DOCUMENT NUMBER: AM0023					
THIS DRAWING CONTAINS INFORMATION THAT IS PROPRIETARY TO MOLEX ELECTRONIC TECHNOLOGIES, LLC AND SHOULD NOT BE USED WITHOUT WRITTEN PERMISSION									
FUNCTIONAL SYMBOLS	DIMENSION UNITS	SCALE	CURRENT REV DESC:						
▽A = 0	mm	2:1	EC NO: 713905						
▽E = 0	GENERAL TOLERANCES (UNLESS SPECIFIED)		DRWN: SKANDB 2022/05/16						
▽P = 0	ANGULAR TOL ± °		CHK'D: MTEUBEL 2022/07/12						
DIVISIONAL SYMBOLS	4 PLACES ±		APPR: MTEUBEL 2022/07/12						
	3 PLACES ±		INITIAL REVISION:						
	2 PLACES ±		DRWN: SKANDB 2022/05/16						
	1 PLACE ±		APPR: MTEUBEL 2022/07/12						
	0 PLACES ±		DOCUMENT NUMBER						
DRAFT WHERE APPLICABLE MUST REMAIN WITHIN DIMENSIONS		FIRST ANGLE PROJECTION	DRAWING	SERIES	MATERIAL NUMBER	CUSTOMER	DOC TYPE	DOC PART	REVISION
		⊞	A3-SIZE	219560	219560	GENERAL MARKET	PSD	000	A