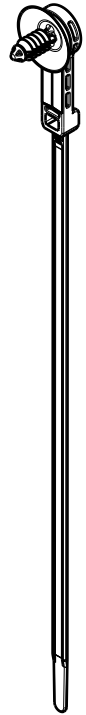
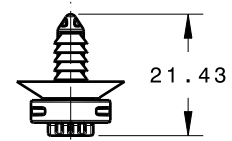
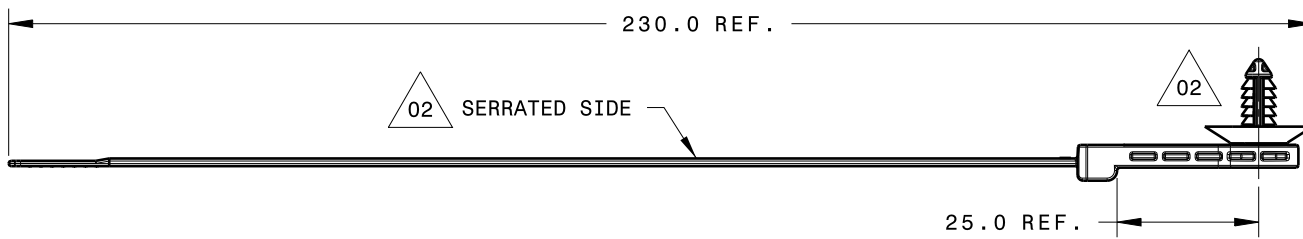
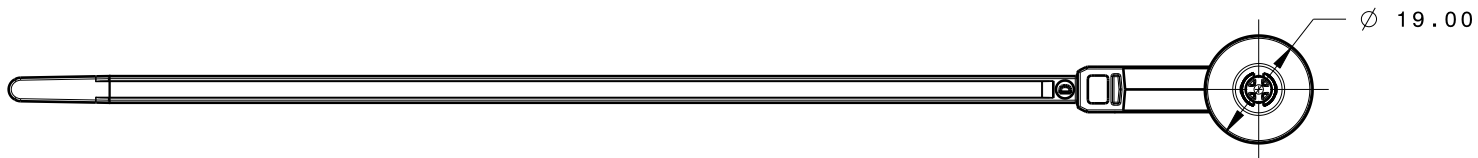


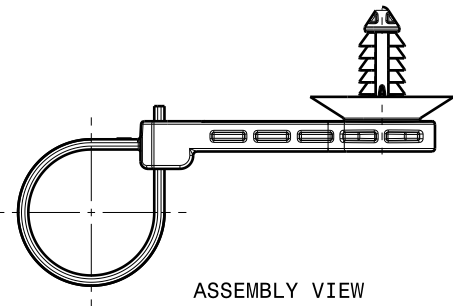
REFERENCE:

PERFORMANCE REQUIREMENTS:

1. FIR TREE PUSH IN FORCE: 10 lbs MAX IN A 5mm HOLE AND A PLATE THICKNESS OF 1.8mm
2. FIR TREE PULL OUT FORCE: 25 lbs MIN IN A 5mm HOLE AND A PLATE THICKNESS OF 1.8mm
3. HOLE DIAMETER: 5.0 +/-0.2mm
4. PANEL THICKNESS RANGE: 0.6 - 5.10mm
5. CABLE TIE TENSILE STRENGTH: 50 lbs MIN
6. BUNDLE RANGE: 1.6mm TO 50mm



ISOMETRIC VIEW
SCALE 1:2



ASSEMBLY VIEW
SCALE 1:1

TYPE NUMBER	MATERIAL	COLOR
T50ROSFT5S025A	NYLON 6/6	GRAY
T50ROSFT5S025A	NYLON 6/6	BLACK
T50ROSFT5S025A	NYLON 4/6	BROWN

INVENTORS

HellermannTyton

ALL PROPRIETARY RIGHTS IN THE SUBJECT MATTER SHOWN ON THIS DRAWING ARE EXCLUSIVE PROPERTY OF HELLERMANN TYTON

name	date	city state
K. VAN HULST	9/6/12	MENOMONEE FALLS, WI.

REVISIONS

level	by	date	ECN #	part level
02	KVH	3/15/13	012312	D

DIMENSIONS

TOLERANCES	units
.XXXX = ± 0.25	millimeters
.XXX = ± 0.50	
.XX = ± 1.00	
.X = ± 2.00	
∠ = ± 1.00	
unless otherwise specified	

PART

number	phase
SEE CHART	PRODUCTION
name	T50ROS WITH 25mm OFFSET AND FT5 FIR TREE (A SERIES)
material	SEE CHART

DRAWING

FORMAT	AH	CAD	SCALE
VERSION	J	CATIA V5	3:4
A- SIZE (landscape)_N01	previous drawing number		
drawn	K. VAN HULST	checked	S. ADAMS
9/6/12	10/9/12	approved	
type	CUSTOMER	sheet 1 of 1	
number	12-0425-001-CSU		