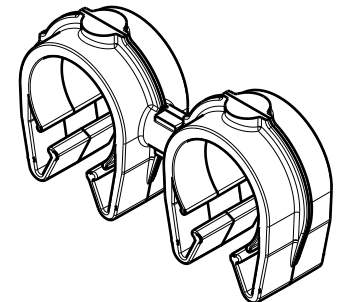
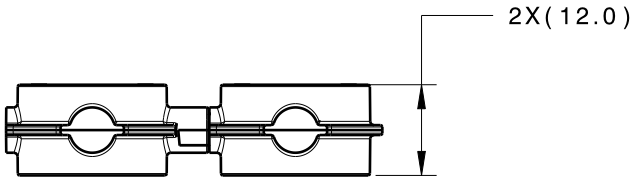
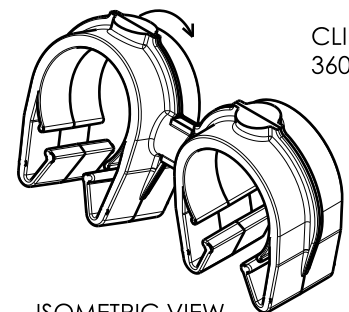
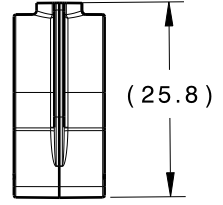
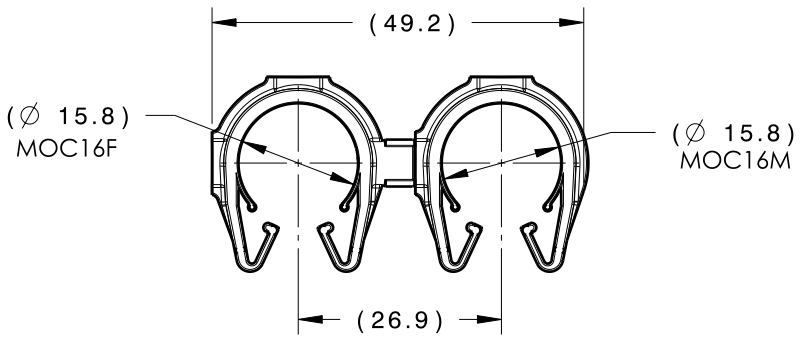


Revision Level			Revision Record	Changed	Date	Approved	Date
Drawing	State	Part					
01.2	DESIGN RELEASE		SEE ECN# 014444	JMC	04/26/18	EJH	04/26/18



ISOMETRIC VIEW



CLIPS ROTATE 360 DEGREES

ISOMETRIC VIEW ROTATED

TYPE	MOC16F	MOC16M
HARNESS	14.0MM-17.0MM	14.0MM-17.0MM
HOSE	14.0MM-17.0MM	14.0MM-17.0MM
HARD PIPE/TUBE	15.9MM-18.3MM	15.9MM-18.3MM

*RECOMMENDED SIZES MAY DIFFER DEPENDING ON THE APPLICATION, PRODUCT REQUIREMENTS AND MATERIALS USED

PATENT PENDING 29/582,271

GLOBAL PART DESCRIPTION	MOC16F**			MOC16M**		
	DRAWING	MATERIAL	COLOR	DRAWING	MATERIAL	COLOR
MOC16FMOC16M-PA66HIRHSUV-BK	16-0321-000-CSU	PA66HIRHSUV	BLACK	16-0321-000-CSU	PA66HIRHSUV	BLACK

Material SEE CHART COLOR: SEE CHART	Units millimeters	The copyright of this drawing is reserved by HellermannTyton . It is issued on condition that it is not reproduced, copied or disclosed to a third party, either wholly or in part, without the consent of HellermannTyton .	Drawn TAT 2/22/17	Article/Type-No MOC16FMOC16M	Scale 1:1	
	Tolerance defined on each dimension		Approved EJH 2/28/17	Title 16MM MOC COUPLED TO A 16MM MOC	Project Number 16-0326	
			 North America Email: corp@htamericas.com Web: www.hellermann.tyton.com		Drawing-No 16-0326-551-CSU	Format AH
					PRODUCTION : Phase 01.2	Sheet 1/1