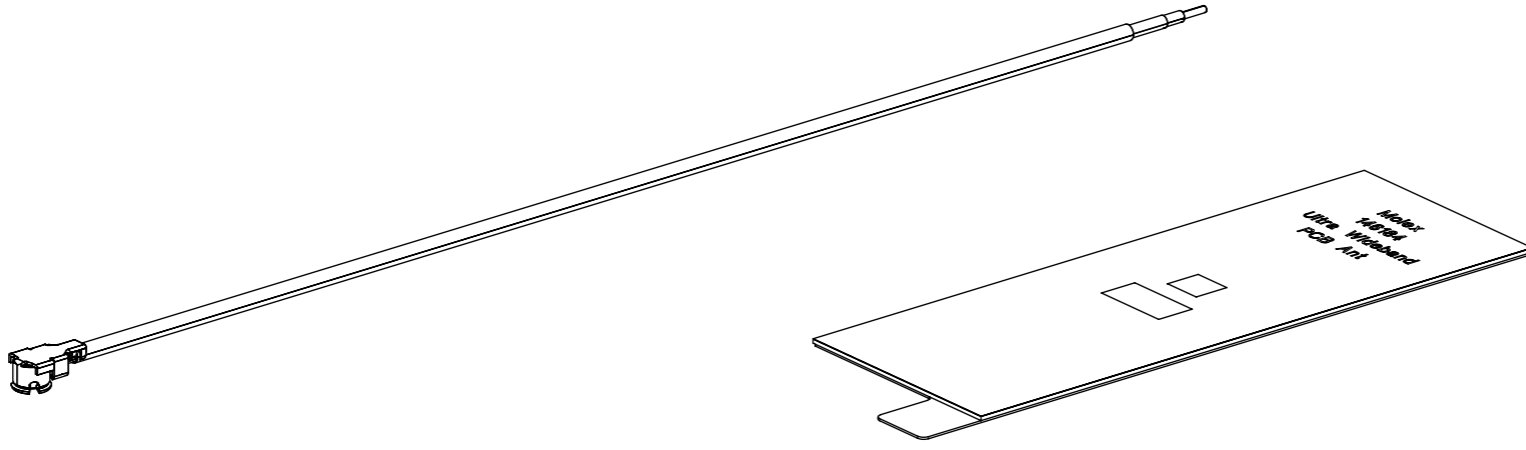


MOLEX					CUSTOMER		3D REV	CHANGE INFORMATION		
DRAWING NO.	REV	ECN NO.	DATA	P/N	P/N	2D REV		DRAWING LOCATION	CHANGE DESCRIPTION	AFFECTED DEPT
SD-146184-050	A	ABU2016-0044	2015/11/12	1461840050			ALL	NEW RELEASE	AQP/ME/PE/POP	
SD-146184-050	B	111421	2016/12/19	1461840050			ALL	UPDATE DRAWING, ADD NOTE 9	AQP/ME/PE/POP	

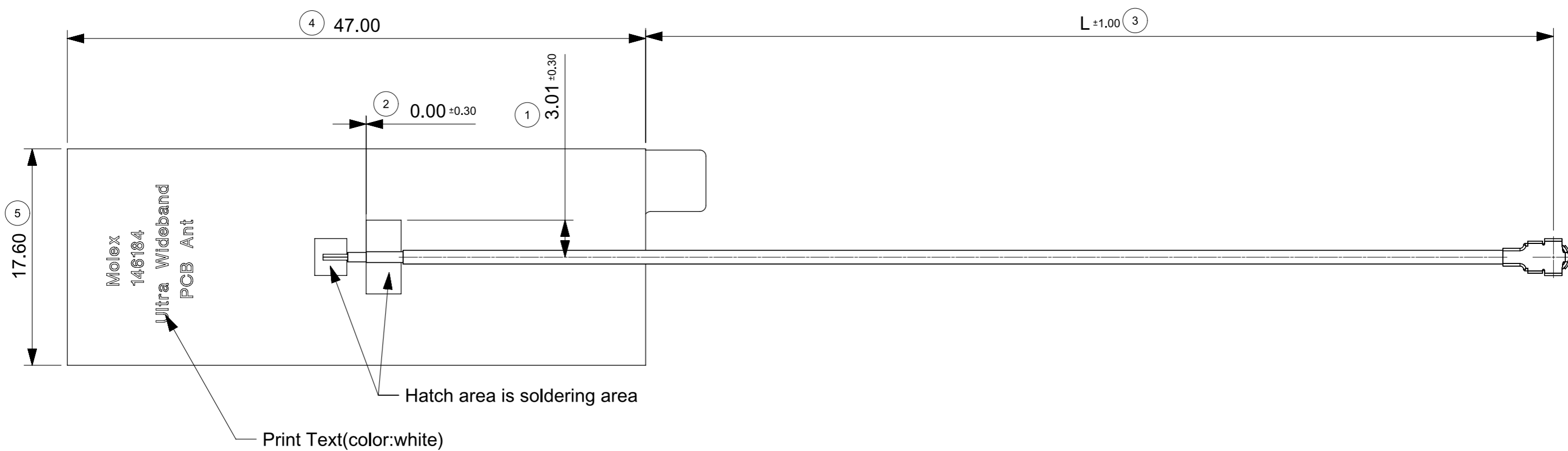


6	1461840300	1461840002	1461530030	PCB+300MM CABLE
5	1461840250	1461840002	1461530025	PCB+250MM CABLE
4	1461840200	1461840002	1461530020	PCB+200MM CABLE
3	1461840150	1461840002	1461530015	PCB +150MM CABLE
2	1461840100	1461840002	1461530010	PCB+100MM CABLE
1	1461840050	1461840002	1461530005	PCB+50MM CABLE
ITEM	ASSY PN	FLEX PN	CABLE PN	DESCRIPTION
	MOLEX PN			

- Notes:
- 1.PCB total thickness:0.31mm(the thickness not included adhesive)
Adhesive : 3M 9077, thickness:0.05mm
 - 2.Copper thickness:0.5oz(18um)
 - 3.Solder mask thickness: min0.01mm, color: black.
 - 4.Silk Screen: Whith
 - 5.Palting Spec: Ni:3-8um
Au Min 0.05um
 6. Product Compliant to EU DIRECTIVE 2002/95/EC(ROHS)
 7. EU DIRECTIVE 2002/95/EC(ELV)
 8. For the general tolerance, please refer to next page the General Tolerance Table A.
 9. There need use the cap to protect connector the cap material:Silica Gel, type:FP EC3.0-10(0.8)

THIS DRAWING CONTAINS INFORMATION THAT IS PROPRIETARY TO MOLEX ELECTRONIC TECHNOLOGIES, LLC AND SHOULD NOT BE USED WITHOUT WRITTEN PERMISSION													
QUALITY SYMBOLS 	EC DESCRIPTION EC NO: 111421 DRWN: ZLRAO CHK'D: Jack Shi APPR: Chris Yu	GENERAL TOLERANCES (UNLESS SPECIFIED) ANGULAR TOL ± 0.5 °		DIMENSION UNITS mm	SCALE 2:1	 UWB ANTENNA ASSY							
		4 PLACES ± 0.00000		DRWN BY ZLRAO	DATE 2016/12/19								
		3 PLACES ± 0.00000		CHK'D BY Jack Shi	DATE 2016/12/19								
		2 PLACES ± 0.0000		APPR BY Chris Yu	DATE 2016/12/19	PRODUCT DESIGN DRAWING							
		1 PLACE ± 0.00		DRAWING SIZE A3	THIRD ANGLE PROJECTION 			SERIES 146184	MATERIAL NUMBER SEE TABLE	CUSTOMER GENERAL MARKET			
		0 PLACES ± 0.00						DOCUMENT NUMBER SD-146184-050	DOC TYPE XXX	DOC PART XXX	SHEET NUMBER 1 OF 2		
		DRAFT WHERE APPLICABLE MUST REMAIN WITHIN DIMENSIONS											

RELEASE STATUS	RELEASE DATE
----------------	--------------



ITEM	CABLE PN	CABLE TYPE	THE LENGTH OF DIMENSION "L"
1	1461530050	Cable 50mm	23.78MM
2	1461530100	Cable 100mm	73.78MM
3	1461530150	Cable 150mm	123.78MM
4	1461530200	Cable 200mm	173.78MM
5	1461530250	Cable 250mm	223.78MM
6	1461530300	Cable 300mm	273.78MM

Tolerance Description	Tolerance(mm)
Copper edge to Copper edge	+/-0.05
Copper edge to Polymer edge	+/-0.15
Die cut outline	+/-0.1
Die Cut Hole diameter	+/-0.1
Die cut hole to Die cut outline	+/-0.15
Die cut outline to solder mask opening edge	+/-0.25
Solder mask opening	+/-0.1

THIS DRAWING CONTAINS INFORMATION THAT IS PROPRIETARY TO MOLEX ELECTRONIC TECHNOLOGIES, LLC AND SHOULD NOT BE USED WITHOUT WRITTEN PERMISSION			
QUALITY SYMBOLS FA = 0 FE = 0 FB = 0 FV = 0 FC = 0 FX = 0 FS = 0 FT = 0	EC DESCRIPTION EC NO: 111421 DRWN: ZLRAO CHK'D: Jack Shi APPR: Chris Yu	GENERAL TOLERANCES (UNLESS SPECIFIED) ANGULAR TOL ± 0.5 °	DIMENSION UNITS: mm SCALE: 3:1
		4 PLACES ± 0.00000 3 PLACES ± 0.00000 2 PLACES ± 0.00000 1 PLACE ± 0.00000 0 PLACES ± 0.00000	DRWN BY: ZLRAO DATE: 2016/12/19
		DRAFT WHERE APPLICABLE MUST REMAIN WITHIN DIMENSIONS	CHK'D BY: Jack Shi DATE: 2016/12/19
		APPR BY: Chris Yu DATE: 2016/12/19	DRAWING SIZE: A3 THIRD ANGLE PROJECTION
molex® UWB ANTENNA ASSY		PRODUCT DESIGN DRAWING	
SERIES: 146184 MATERIAL NUMBER: SEE TABLE CUSTOMER: GENERAL MARKET		DOCUMENT NUMBER: SD-146184-050 DOC TYPE: XXX DOC PART: XXX SHEET NUMBER: 2 OF 2	

RELEASE STATUS	RELEASE DATE
----------------	--------------