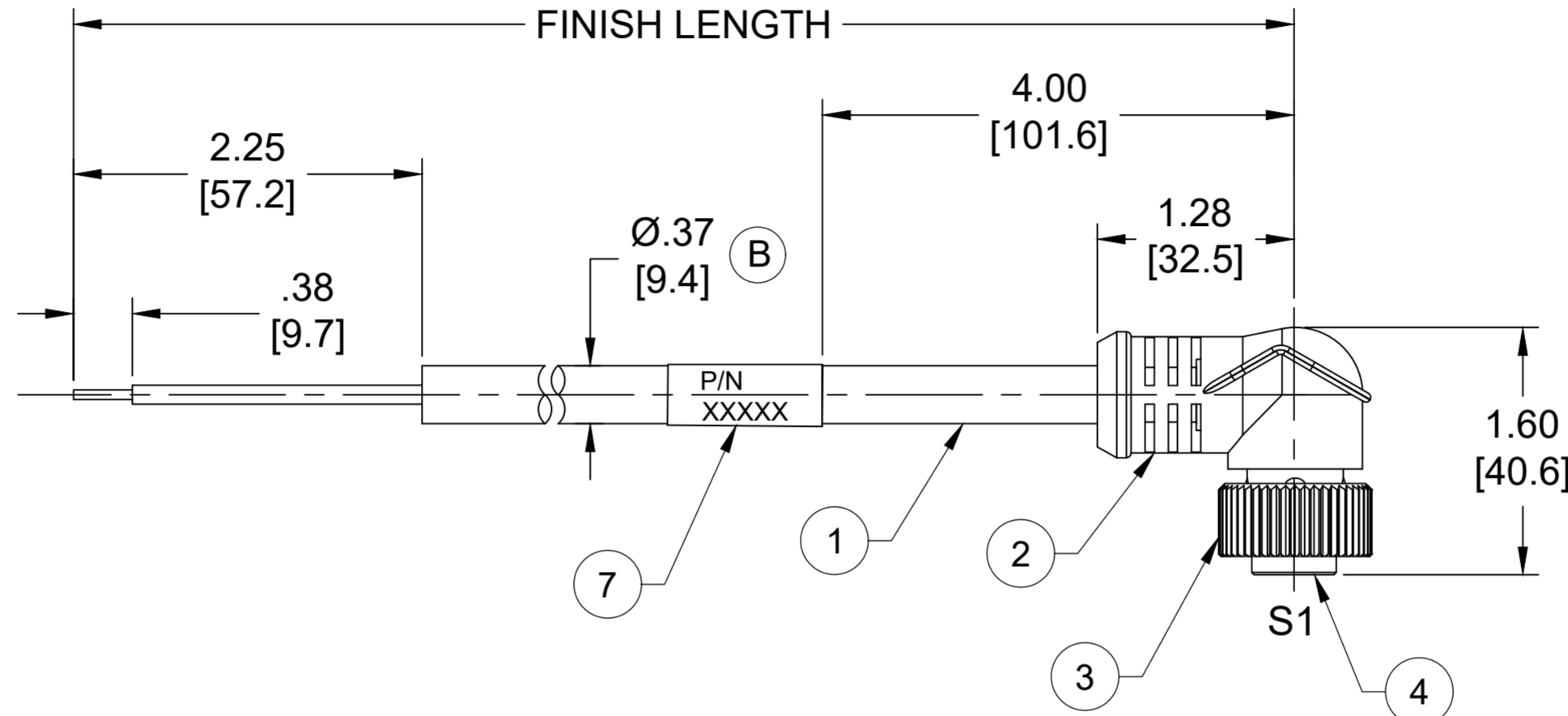
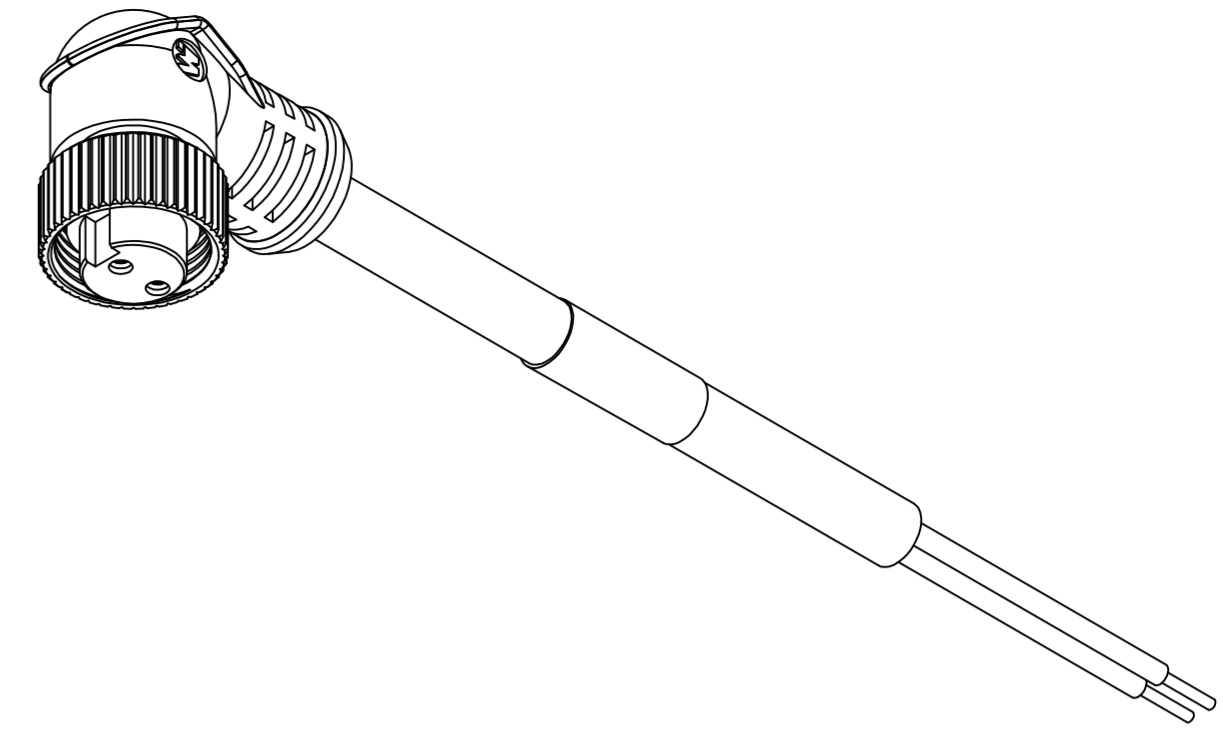


PART NO.	ENGINEERING NO.	FINISHED LENGTH
1300060134	102001A01F030	3FT [0.9M]
1300060141	102001A01F120	12FT [3.7M]
1300062368	102001A01F600	60FT [18.3M]

## PART NUMBER LEGEND

102001A01F030

CABLE LENGTH  
 F050 = 5 FEET  
 F100 = 10 FEET  
 F150 = 15 FEET

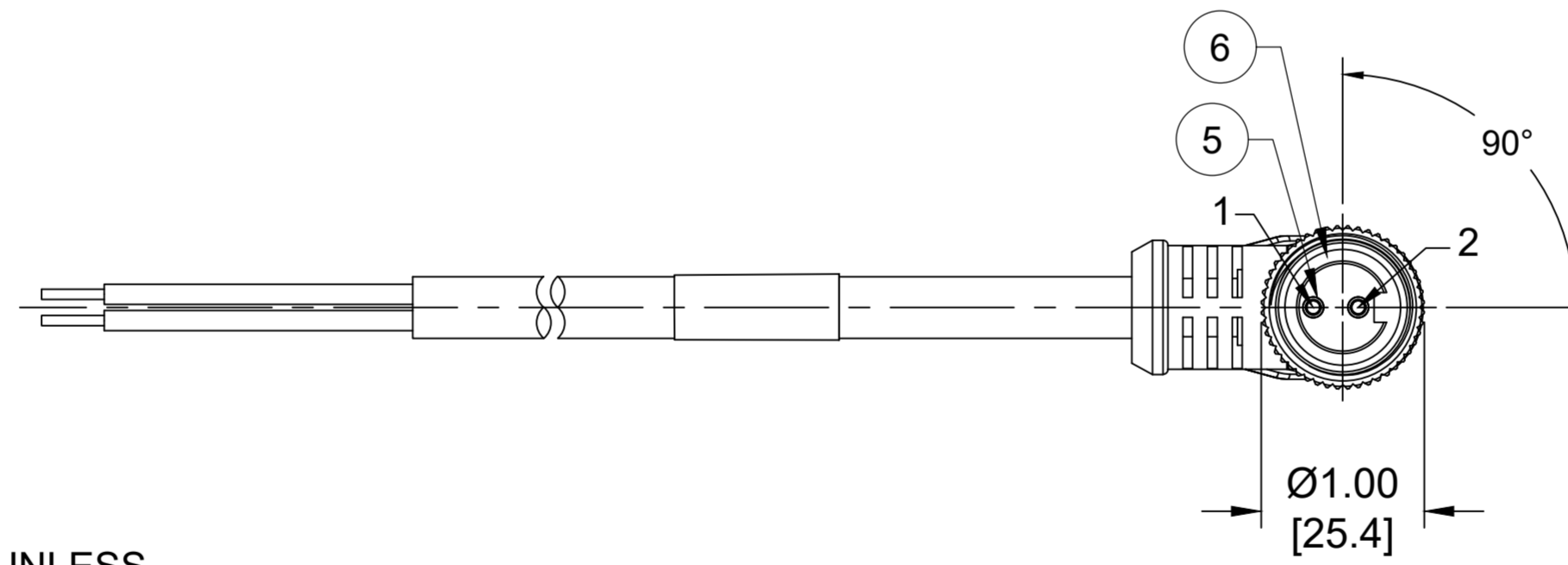


### NOTES:

- MATERIAL: AS NOTED
- FINISH: AS NOTED
- ELECTRICAL:  
 VOLTAGE : 500V PER IEC60664  
 600V PER UL2238  
 CURRENT: 13A
- TEMP RATING: -20° TO +105°C
- PROTECTION: IP67 (WHEN MATED)
- COUPLING THREAD: 7/8"-16UN
- UL RECOGNIZED FILE: E152210  
 CSA CERTIFIED FILE: LR6837
- ALL DIMENSIONS ARE FOR REFERENCE UNLESS TOLERANCED OR NOTED OTHERWISE

	S1
WHITE	1
BLACK	2

### WIRING DIAGRAM



### FEMALE FACE VIEW

**CABLE LENGTH TOLERANCES**

<.3M [1FT]	: +19mm-0 [+.75in-0]
.3 - .9M [1 - 3FT]	: +44.5mm-0 [+1.75in-0]
.9 - 1.8M [3 - 6FT]	: +55.6mm-0 [+2.19in-0]
1.8 - 3.7M [6 - 12FT]	: +88.9mm-0 [+3.50in-0]
3.7 - 7.3M [12 - 24FT]	: +165.1mm-0 [+6.50in-0]
7.3-14.6M [24 - 48FT]	: +317.5mm-0 [+12.50in-0]
14.6 - 30.5M [48-100FT]	: +622.3mm-0 [+24.50in-0]
OVER 30M [100FT]	: +2% OF FINISHED LENGTH

ITEM	COMPONENT	MATERIAL	FINISH
7	WRAP LABEL	VINYL	BLACK/YELLOW
6	FRICION RING	NYLON	WHITE
5	CONTACT SOCKET	COPPER ALLOY	GOLD OVER NICKEL
4	INSERT	TPE	YELLOW
3	COUPLING NUT	ZINC DIE CAST	BLACK-E-COAT
2	OVERMOLD	TPE	YELLOW
1	CABLE, 16 AWG STOOW/ST	PVC	YELLOW

FUNCTIONAL SYMBOLS FA=0 FC=0 FD=0	DIMENSION UNITS <b>INCH/MM</b>	SCALE <b>NTS</b>	CURRENT REV DESC: ITEM# 2 & 4 WERE PVC. ITEM #7 WAS PLASTIC FILM. ADDED FRICTION RING, IEC VOLTAGE, PN LEGEND, CABLE DIA & TOL CHART. MODIFIED PN CHART	
	GENERAL TOLERANCES (UNLESS SPECIFIED)		EC NO: 702709	DRWN: ABENJAMINLW 2021/05/18
DIVISIONAL SYMBOLS	4 PLACES ±----	±----	CHK'D: RSTONE 2022/04/11	APPR: BWOODMAN 2022/04/16
	3 PLACES ±----	±----	INITIAL REVISION:	
2 PLACES ±----	±----	DRWN: TWOLDEGE 2009/07/29	DOCUMENT NUMBER: <b>SD-130006-014</b>	
1 PLACE ±----	±----	APPR: JFMURPHY 2009/08/10	DOC TYPE/DOC PART/REVISION: PSD 001 B	
0 PLACES ±----	±----	ANGULAR TOL ± ---- °	MATERIAL NUMBER: SEE CHART	CUSTOMER: GENERAL MARKET
DRAFT WHERE APPLICABLE MUST REMAIN WITHIN DIMENSIONS		THIRD ANGLE PROJECTION	DRAWING: C-SIZE	SERIES: 130006
			SHEET NUMBER: 1 OF 1	