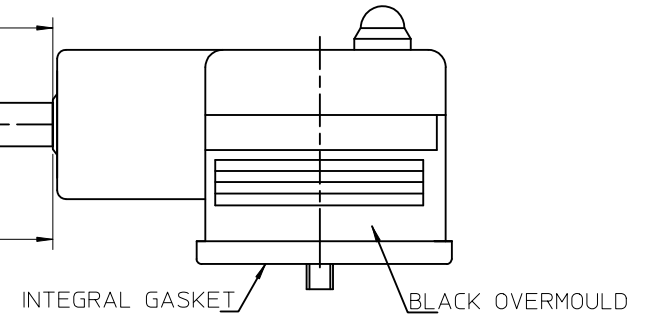
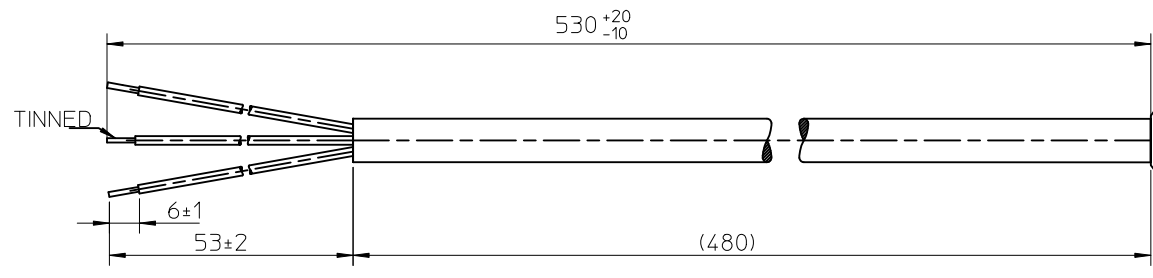
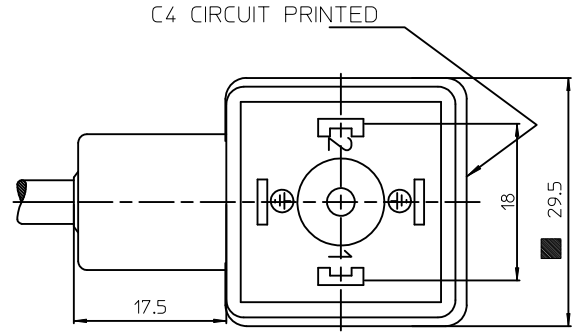
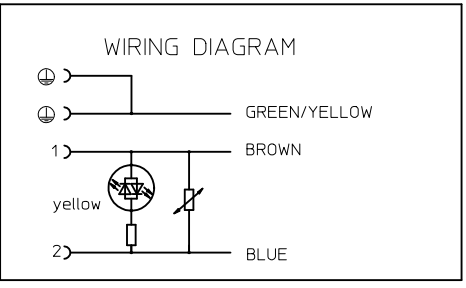


10 9 8 7 6 5 4 3 2 1



IFM P/N: E12252

WOODHEAD NO
1813 022KF 96DA0

NOTES:
1. INTEGRATED GASKET AND SCREW ASSEMBLED

ORIGINAL RELEASE EC NO: IPG2012-0684 DRWN:MDABROWSKA 2010/07/03 CHKD: APPR:GOGRODNIK 2012/04/12 REV A	QUALITY SYMBOLS ▽=0 ◻=0	GENERAL TOLERANCES (UNLESS SPECIFIED) <table border="1"> <thead> <tr> <th></th> <th>mm</th> <th>INCH</th> </tr> </thead> <tbody> <tr> <td>4 PLACES</td> <td>± ---</td> <td>± ---</td> </tr> <tr> <td>3 PLACES</td> <td>± ---</td> <td>± ---</td> </tr> <tr> <td>2 PLACES</td> <td>± ---</td> <td>± ---</td> </tr> <tr> <td>1 PLACE</td> <td>± ---</td> <td>± ---</td> </tr> </tbody> </table>		mm	INCH	4 PLACES	± ---	± ---	3 PLACES	± ---	± ---	2 PLACES	± ---	± ---	1 PLACE	± ---	± ---	DIMENSION STYLE MM ONLY	SCALE ---	DESIGN UNITS METRIC	FIRST ANGLE PROJECTION
		mm	INCH																		
	4 PLACES	± ---	± ---																		
	3 PLACES	± ---	± ---																		
	2 PLACES	± ---	± ---																		
1 PLACE	± ---	± ---																			
		DRAWN BY: MDABROWSKA DATE: 2010/07/03 CHECKED BY:	TITLE VMA-PUR/UL-0.48 M	MOLEX INCORPORATED																	
		APPROVED BY: GOGRODNIK DATE: 2012/04/12	MATERIAL NO. 1203370088	DOCUMENT NO. SD-120337-005	SHEET NO. 1 OF 1																
		DRAFT WHERE APPLICABLE MUST REMAIN WITHIN DIMENSIONS	THIS DRAWING CONTAINS INFORMATION THAT IS PROPRIETARY TO MOLEX INCORPORATED AND SHOULD NOT BE USED WITHOUT WRITTEN PERMISSION																		
			SIZE A3																		

9 8 7 6 5 4 3 2 1