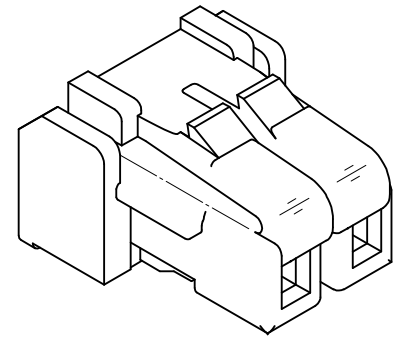
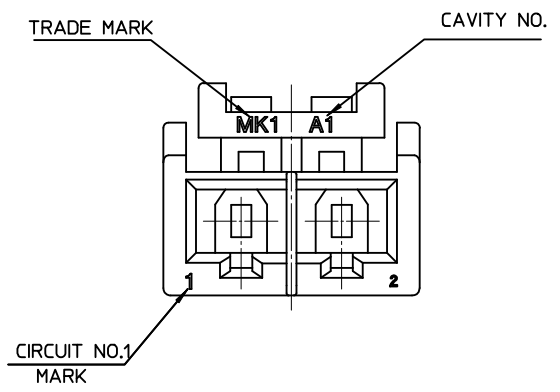
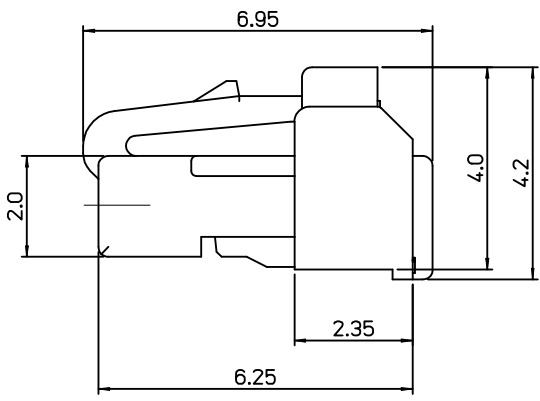
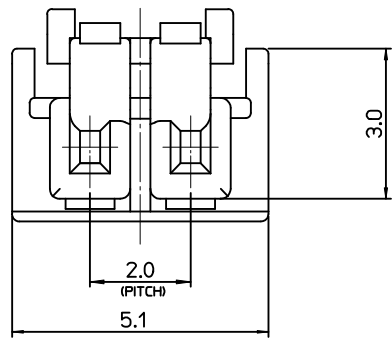


NOTES.

1. MATERIALS  
LIQUID CRYSTAL POLYMER(LCP), GLASS FILLED, UL94V-0  
COLOR OF NATURAL(TICONA VECTRA E471I)
2. MATED WITH : 104040-0207
3. APPLICABLE TERMINAL : 49946-8001
4. PRODUCT SPECIFICATION : PS-104040-001



ISO METRIC VIEW



RELEASED EC NO: KOR2010-0018 DRWN:SKHAN 2009/08/07 CHKD:WY.YANG 2009/08/13 APPR:YUNSIKKIM 2009/08/17	DESCRIPTION REV	QUALITY SYMBOLS	GENERAL TOLERANCES (UNLESS SPECIFIED)	DIMENSION STYLE	SCALE	DESIGN UNITS	THIRD ANGLE PROJECTION	
		$\nabla=0$ $\nabla=0$	mm    INCH 4 PLACES ± --- ± --- 3 PLACES ± --- ± --- 2 PLACES ± 0.15 ± --- 1 PLACE ± 0.25 ± --- ANGULAR ± 3 °	MM ONLY	10:1	METRIC	DRAWN BY: SK.HAN    DATE: 2009/07/10 CHECKED BY: WY.YANG    DATE: 2009/07/10 APPROVED BY: EH.JUNG    DATE: 2009/07/10	TITLE HOUSING FOR 2.0MM W/B CONN. 2P
		DRAFT WHERE APPLICABLE MUST REMAIN WITHIN DIMENSIONS	MATERIAL NO. 1040410290	MOLEX INCORPORATED	DOCUMENT NO. SD-104041-001	SHEET NO. 1 OF 01		
		SIZE A3	THIS DRAWING CONTAINS INFORMATION THAT IS PROPRIETARY TO MOLEX INCORPORATED AND SHOULD NOT BE USED WITHOUT WRITTEN PERMISSION					