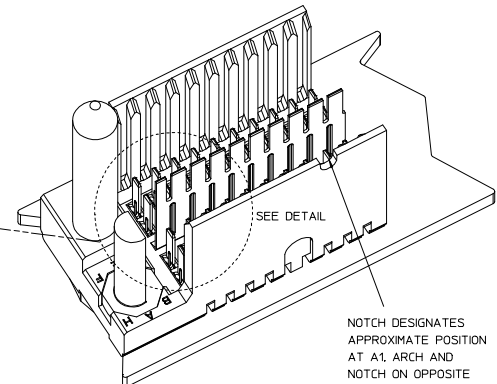
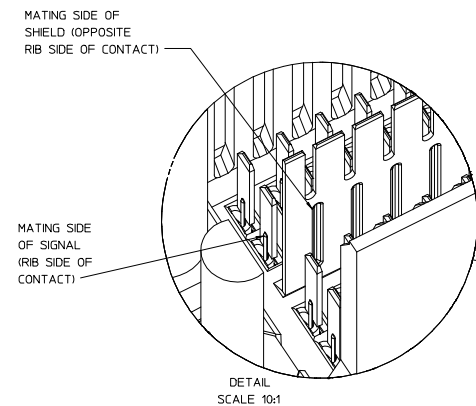
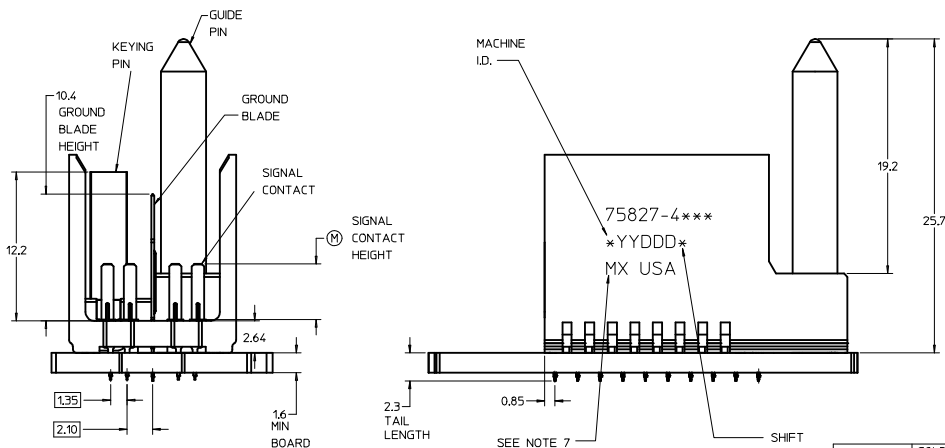


THE PRIMARY CARTON WITH A LABEL STATING "ELV AND RoHS COMPLAINT" IS LEAD FREE. CARTONS WITHOUT THIS LABEL MAY CONTAIN LEAD.



- NOTES:
- MATERIAL: HOUSING - LIQUID CRYSTAL POLYMER (LCP) GLASS-FILLED. UL 94V-0. COLOR - GRAY. SIGNAL CONTACT AND GROUND BLADE - HIGH PERFORMANCE COPPER ALLOY.
 - FINISHES: SELECTIVE GOLD (Au) ON CONTACT AREA. SELECTIVE MATTE TIN (Sn) ON PCB TAILS. NICKEL (Ni) OVERALL.
 - THIS PART CONFORMS TO MOLEX PRODUCT SPECIFICATION PS-75221-999.
 - FOR MIXED CONTACT MATING LENGTHS CONSULT MOLEX FOR AVAILABILITY. CONTACT PAIRS MUST BE THE SAME LENGTH.
 - FOR SPECIFIC PART NUMBER AND MATING INFORMATION PLEASE REFER TO CHART.
 - PACKAGE PER PK-70873-5058.
 - EITHER MARK PART NUMBER AND DATE CODE APPROXIMATELY WHERE SHOWN OR PLACE A LABEL ON THE TUBE.
 - OPTIONAL HOLE LOCATION FOR GROUNDED GUIDE PIN OR ADDITIONAL GUIDE PIN SUPPORT. FOR GROUNDED GUIDE, HOLE TO BE PLATED, DRILL SIZE #258, PAD SIZE #550.
 - THESE PARTS CONFORM TO MOLEX COSMETIC SPECIFICATION PS-45499-002 CLASS B.
 - MAPS (MOLEX ADVANCED PLATING SYSTEM).

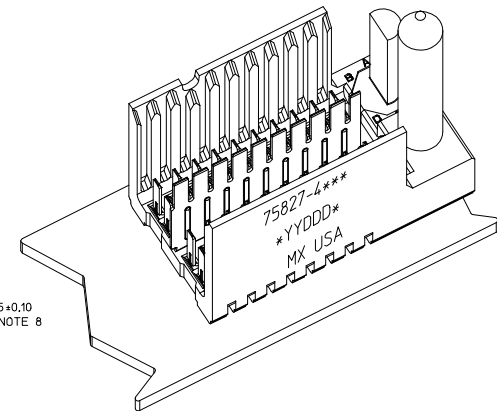
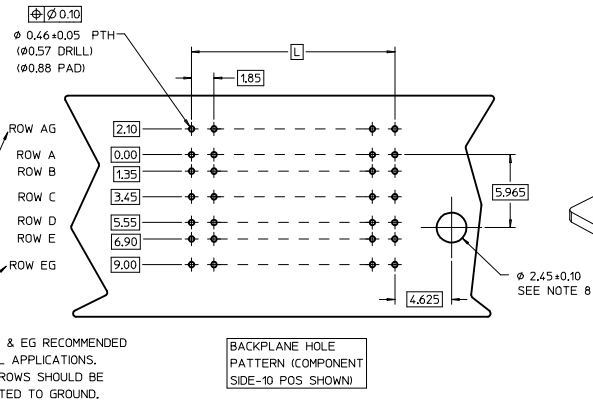
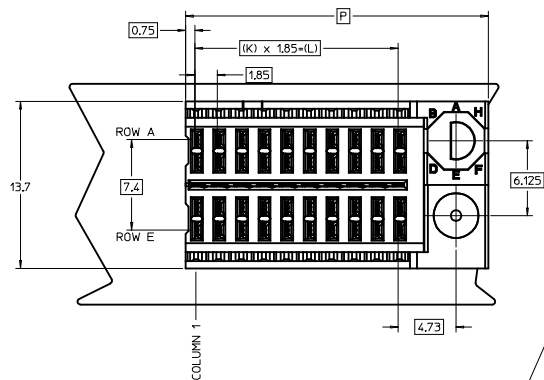
PIN LENGTH DIM "M"	GOLD (Au) THICKNESS micrometers
0-3.55 mm	0.25 (MAPS)
1-4.55 mm	
2-5.55 mm	
3-3.55 mm	0.76
4-4.55 mm	
5-5.55 mm	
7-3.55 mm	1.27
8-4.55 mm	
9-5.55 mm	

ASSY PART NO.	K	L	P	TOTAL NO. OF DIFFERENTIAL PAIRS
75827-41**	9	16,65	24,78	20
75827-42**	24	44,40	52,53	50

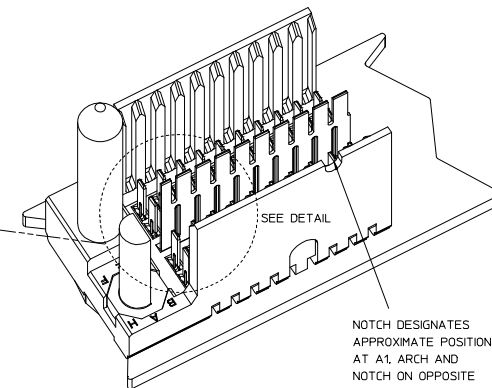
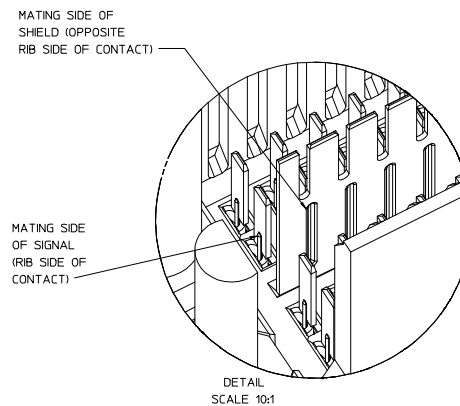
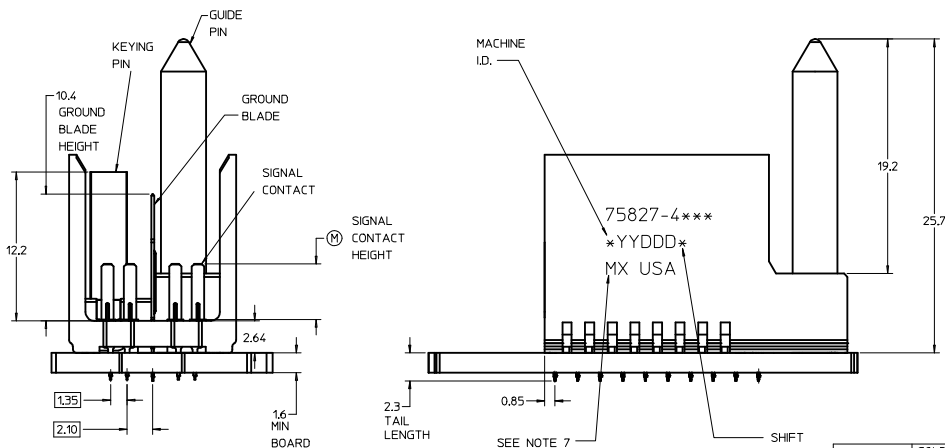
P/N	Keying Pin Orientation	Keying Pin Orientation	Keying Pin Orientation	Keying Pin Orientation	Keying Pin Orientation	Keying Pin Orientation	Keying Pin Orientation	Keying Pin Orientation	Keying Pin Orientation
75827-()	0	A	B	C	D	E	F	G	H

LEAD-FREE PLATING

REV TO LEAD-FREE EC NO: UICP2013-1905 DRAWINGS: 2012/09/05 CHKD: MOLEX APPR: SMILLER 2012/12/05	QUALITY SYMBOLS ∇=0 ∇=0 ∇=0	GENERAL TOLERANCES (UNLESS SPECIFIED) <table border="1"> <thead> <tr> <th></th> <th>mm</th> <th>INCH</th> </tr> </thead> <tbody> <tr> <td>4 PLACES</td> <td>±0.25</td> <td>±0.010</td> </tr> <tr> <td>3 PLACES</td> <td>±0.38</td> <td>±0.015</td> </tr> <tr> <td>2 PLACES</td> <td>±0.51</td> <td>±0.020</td> </tr> <tr> <td>1 PLACE</td> <td>±0.64</td> <td>±0.025</td> </tr> <tr> <td>0 PLACE</td> <td>±0.76</td> <td>±0.030</td> </tr> </tbody> </table>		mm	INCH	4 PLACES	±0.25	±0.010	3 PLACES	±0.38	±0.015	2 PLACES	±0.51	±0.020	1 PLACE	±0.64	±0.025	0 PLACE	±0.76	±0.030	DIMENSION STYLE MM ONLY	SCALE 5:1	DESIGN UNITS METRIC	THIRD ANGLE PROJECTION
		mm	INCH																					
	4 PLACES	±0.25	±0.010																					
	3 PLACES	±0.38	±0.015																					
2 PLACES	±0.51	±0.020																						
1 PLACE	±0.64	±0.025																						
0 PLACE	±0.76	±0.030																						
DRAWN BY: NMARTIN CHECKED BY: JMYCZEK APPROVED BY: SREED	DATE: 2005/07/05 DATE: 2005/07/05 DATE: 2005/07/05	TITLE GBX 2-PAIR, LF RIGHT END BACKPLANE SALES ASSEMBLY	MATERIAL NO. SEE TABLE	DOCUMENT NO. SD-75827-410	SHEET NO. 1 OF 1	molex																		
THIS DRAWING CONTAINS INFORMATION THAT IS PROPRIETARY TO MOLEX INCORPORATED AND SHOULD NOT BE USED WITHOUT WRITTEN PERMISSION																								



THE PRIMARY CARTON WITH A LABEL STATING "ELV AND RoHS COMPLAINT" IS LEAD FREE. CARTONS WITHOUT THIS LABEL MAY CONTAIN LEAD.



- NOTES:
- MATERIAL: HOUSING - LIQUID CRYSTAL POLYMER (LCP) GLASS-FILLED. UL 94V-0. COLOR - GRAY. SIGNAL CONTACT AND GROUND BLADE - HIGH PERFORMANCE COPPER ALLOY.
 - FINISHES: SELECTIVE GOLD (Au) ON CONTACT AREA, SELECTIVE MATTE TIN (Sn) ON PCB TAILS, NICKEL (Ni) OVERALL.
 - THIS PART CONFORMS TO MOLEX PRODUCT SPECIFICATION PS-75221-999.
 - FOR MIXED CONTACT MATING LENGTHS CONSULT MOLEX FOR AVAILABILITY. CONTACT PAIRS MUST BE THE SAME LENGTH.
 - FOR SPECIFIC PART NUMBER AND MATING INFORMATION PLEASE REFER TO CHART.
 - PACKAGE PER PK-70873-5058.
 - EITHER MARK PART NUMBER AND DATE CODE APPROXIMATELY WHERE SHOWN OR PLACE A LABEL ON THE TUBE.
 - OPTIONAL HOLE LOCATION FOR GROUNDED GUIDE PIN OR ADDITIONAL GUIDE PIN SUPPORT. FOR GROUNDED GUIDE, HOLE TO BE PLATED, DRILL SIZE #258, PAD SIZE #550.
 - THESE PARTS CONFORM TO MOLEX COSMETIC SPECIFICATION PS-45499-002 CLASS B.
 - MAPS (MOLEX ADVANCED PLATING SYSTEM).

PIN LENGTH DIM "M"	GOLD (Au) THICKNESS micrometers
0-3.55 mm	0.25 (MAPS)
1-4.55 mm	
2-5.55 mm	
3-3.55 mm	0.76
4-4.55 mm	
5-5.55 mm	
7-3.55 mm	1.27
8-4.55 mm	
9-5.55 mm	

PART NUMBER TABLE				
ASSY PART NO.	K	L	P	TOTAL NO. OF DIFFERENTIAL PAIRS
75827-41**	9	16,65	24,78	20
75827-42**	24	44,40	52,53	50

P/N	Keying Pin Orientation	Keying Pin Orientation	Keying Pin Orientation	Keying Pin Orientation	Keying Pin Orientation	Keying Pin Orientation	Keying Pin Orientation	Keying Pin Orientation	Keying Pin Orientation
75827-()	0	A	B	C	D	E	F	G	H

LEAD-FREE PLATING

REV TO LEAD-FREE EC NO: UICP2013-1905 DRAWINGS: 2012/09/05 CHKD: MOLEX APPR: SMILLER 2012/12/05	QUALITY SYMBOLS ∇=0 ∇=0 ∇=0	GENERAL TOLERANCES (UNLESS SPECIFIED) <table border="1"> <thead> <tr> <th></th> <th>mm</th> <th>INCH</th> </tr> </thead> <tbody> <tr> <td>4 PLACES</td> <td>±0.25</td> <td>±0.010</td> </tr> <tr> <td>3 PLACES</td> <td>±0.38</td> <td>±0.015</td> </tr> <tr> <td>2 PLACES</td> <td>±0.51</td> <td>±0.020</td> </tr> <tr> <td>1 PLACE</td> <td>±0.64</td> <td>±0.025</td> </tr> <tr> <td>0 PLACE</td> <td>±0.76</td> <td>±0.030</td> </tr> </tbody> </table>		mm	INCH	4 PLACES	±0.25	±0.010	3 PLACES	±0.38	±0.015	2 PLACES	±0.51	±0.020	1 PLACE	±0.64	±0.025	0 PLACE	±0.76	±0.030	DIMENSION STYLE MM ONLY	SCALE 5:1	DESIGN UNITS METRIC	THIRD ANGLE PROJECTION
		mm	INCH																					
	4 PLACES	±0.25	±0.010																					
	3 PLACES	±0.38	±0.015																					
2 PLACES	±0.51	±0.020																						
1 PLACE	±0.64	±0.025																						
0 PLACE	±0.76	±0.030																						
DRAWN BY: NMARTIN CHECKED BY: JMYCZEK APPROVED BY: SREED DATE: 2005/07/05	DATE: 2005/07/05	DATE: 2005/07/05	DATE: 2005/07/05	DATE: 2005/07/05	DATE: 2005/07/05	DATE: 2005/07/05																		
MATERIAL NO. SEE TABLE	DOCUMENT NO. SD-75827-410	SHEET NO. 1 OF 1	THIS DRAWING CONTAINS INFORMATION THAT IS PROPRIETARY TO MOLEX INCORPORATED AND SHOULD NOT BE USED WITHOUT WRITTEN PERMISSION																					

GBX 2-PAIR, LF RIGHT END BACKPLANE SALES ASSEMBLY

molex

SD-75827-410