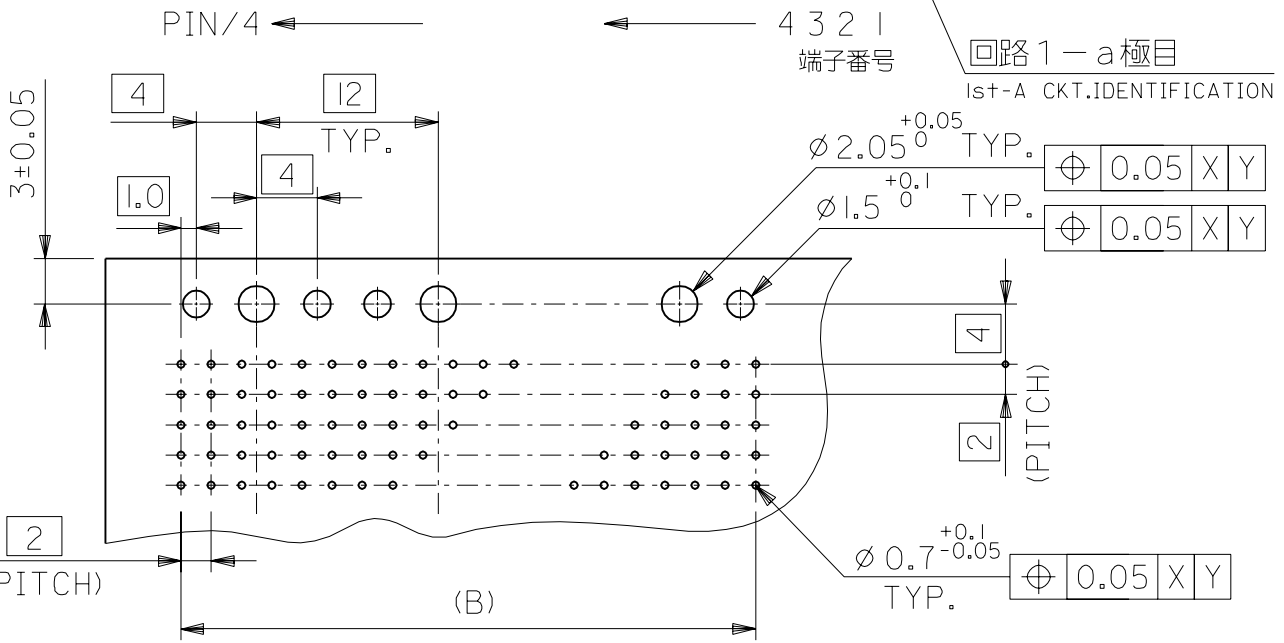
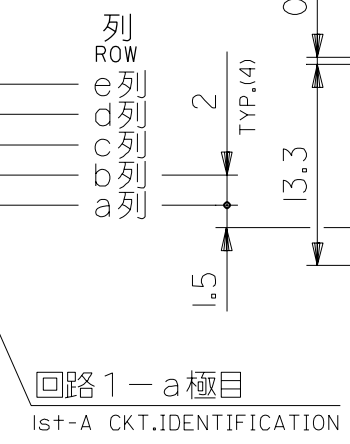
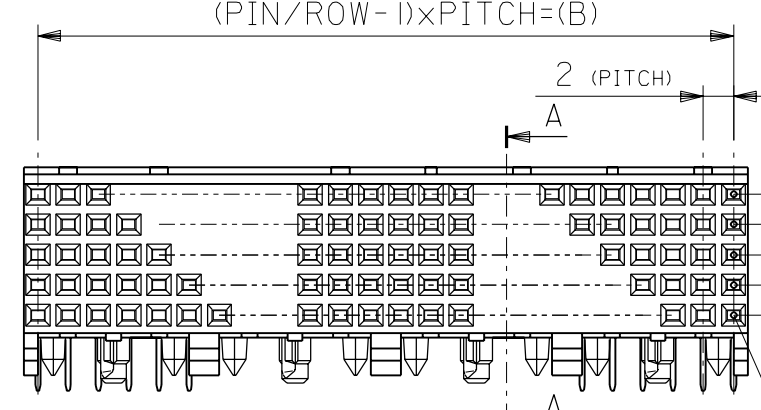
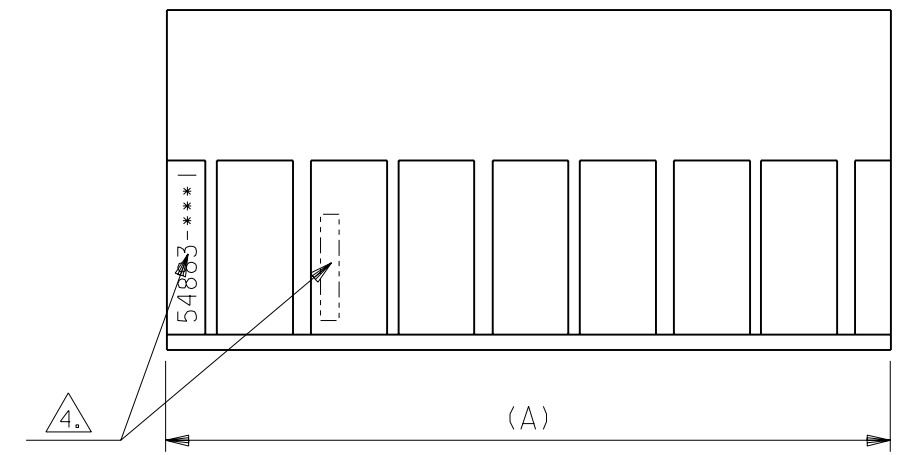
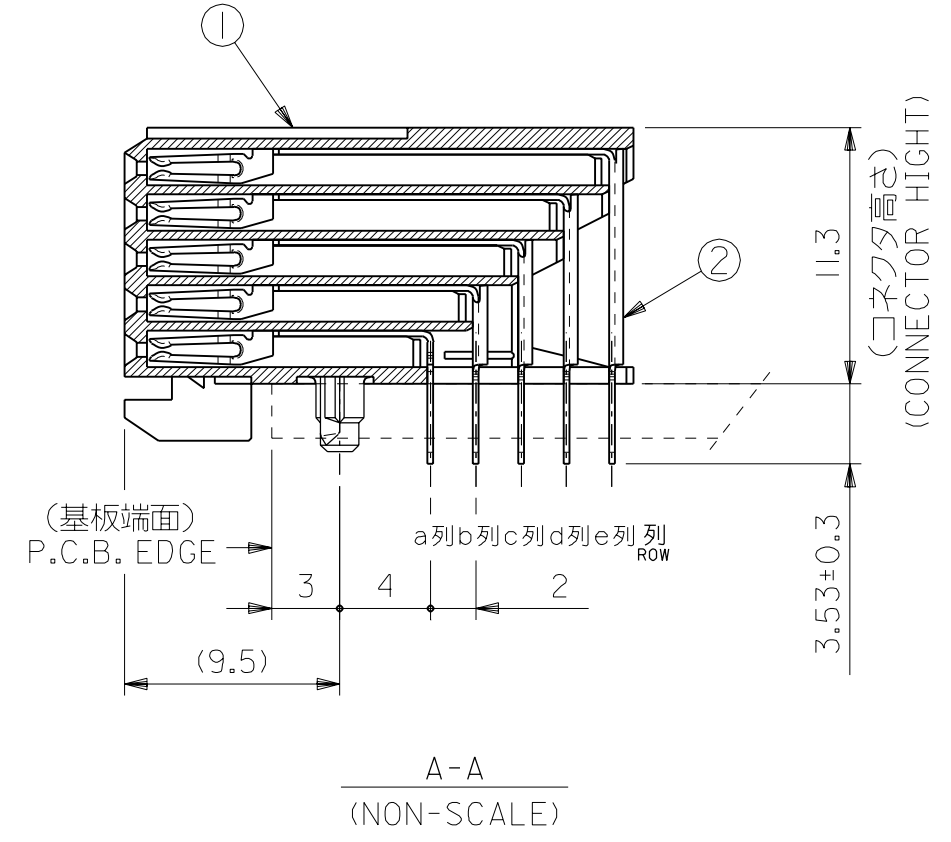


DWG. NO.
SD-54883-002

番号 No.	部品 PART NAME	材質 MATERIAL	仕上げ FINISH
①	リセプタクル ハウジング RECEPTACLE HOUSING	液晶ポリマー、ガラス充填、自然色(白)、UL94V-0 LIQUID CRYSTAL POLYMER, GLASS FILLED, NATURAL(WHITE), UL94V-0	—#—
②	リセプタクル ターミナル RECEPTACLE TERMINAL	リン青銅 PHOSPHOR BRONZE	△1.



基板穴推奨寸法 (部品実装)
RECOMMENDED P.C.B. LAYOUT (COMPONENT SIDE)



- 注記
NOTE :
- △1. ターミナル めっき仕様
TERMINAL PLATING
 金めっき : 0.76 μm MIN. (接点部)
 GOLD : 0.76 μm MIN. (CONTACT AREA)
 半田めっき : 1.0 μm MIN. (半田付け部)
 TIN-LEAD : 1.0 μm MIN. (SOLDER AREA)
 ニッケルメッキ : 2.0 μm MIN. (下地めっき)
 NICKEL : 2.0 μm MIN. (UNDER PLATING)
 - 2. 推奨基板厚 : t=2.4mm
RECOMMENDED P.C.B. THICKNESS :
 - 3. 適合プラグ : 55060, 55332, 55333
APPLICABLE PLUG :
 - △4. 製品番号及びロットナンバー
MATERIAL NO. & LOT NO.

94	95.98	54883-2401	240
46	47.98	54883-1201	120
22	23.98	54883-0601	60
10	11.98	54883-0301	30
B	A	MATERIAL NO.	PIN

DO NOT SCALE DRAWING

REV		DESCRIPTION	MATERIAL 材料	GENERAL TOLERANCES: (UNLESS SPECIFIED) 一般公差	SCALE 2-1	DESIGN UNITS mm INCH	PROJECTION 2D 3D	TITLE	SHT	REV	
B	A	REVISED JD2001-1438 DRWN: S.HOSHIKAWA '01/04/24 CH'K: A.NODA APPR: H.IKESUGI	—#—	10 UNDER 未満 ±0.2	DRAWN BY & DATE <i>S. Hoshikawa</i>	mm INCH	2D 3D	"MFB" B/B CONN. (FB+) REC. ASS'Y 5ROW DIP	1	1	
		RELEASED JD2001-0317 DRWN: S.HOSHIKAWA '00/08/25 CH'K: A.NODA APPR: H.IKESUGI	—#—	10 OVER 30 UNDER 未満 ±0.25	CHECKED BY & DATE <i>A. Noda</i>	mm ONLY	MOLEX INCORPORATED				
			—#—	30 OVER 以上 ±0.3	APPROVED BY & DATE <i>A. Noda</i>			MATERIAL NO. SEE TABLE			
			—#—	ANGLE 角度 ±3°	CAD FILENAME SD-54883-002.S01			DRAWING NO. SD-54883-002			
			—#—		THIS DRAWING CONTAINS INFORMATION THAT IS PROPRIETARY TO MOLEX INCORPORATED AND SHOULD NOT BE USED WITHOUT WRITTEN PERMISSION.						

SD-54883-002-001