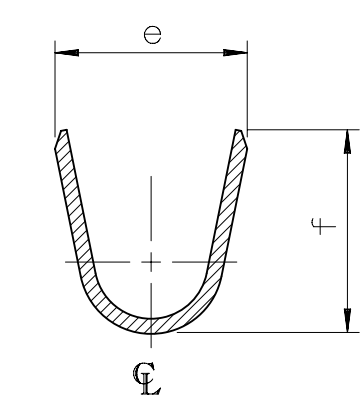
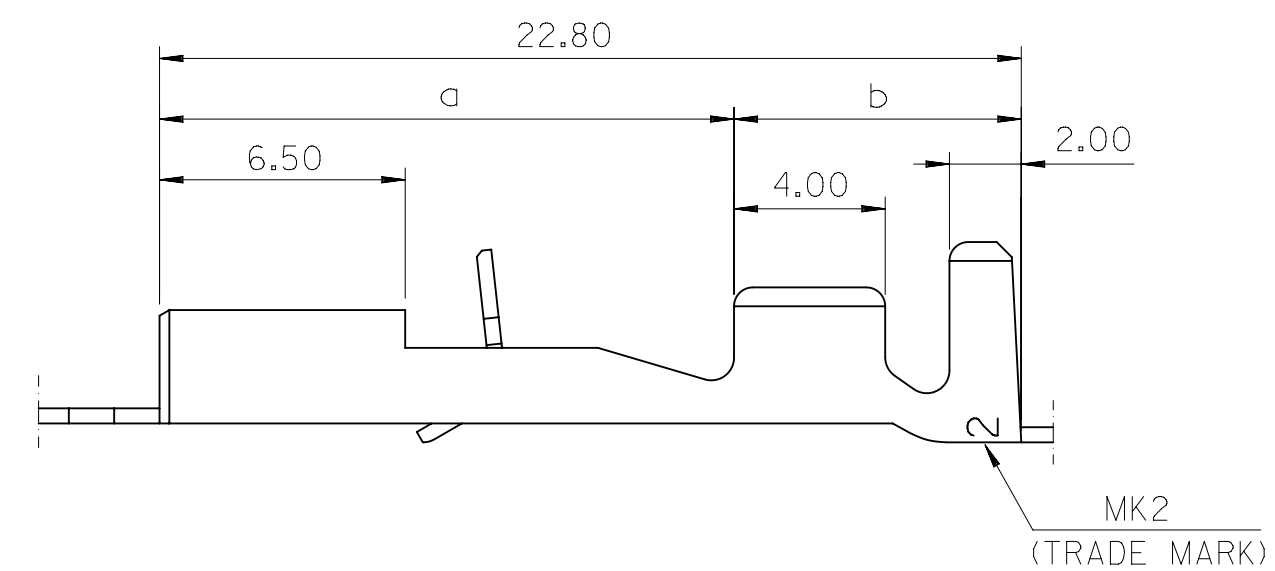
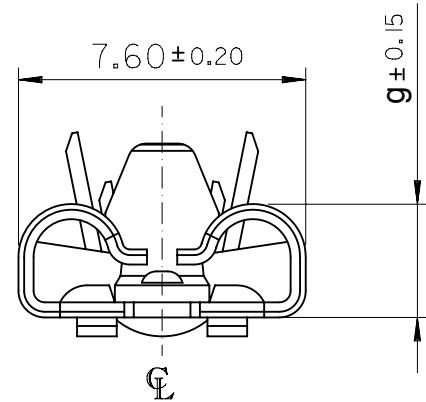


SECTION: A-A'



SECTION: B-B'



ENG.NO.	a	b	c	d	e	f	g	WIRE SIZE	INSUL.DIA.	MATING TAB THICK'
35072-9702	15.1	7.7	2.6	3.2	4.8	4.8	2.92	AWG#22-18	1.5-3.1	0.8 t
35072-9802	15.1	7.7	3.7	3.6	5.0	5.5		AWG#18-14	2.2-3.4	
35072-9902	14.4	8.4	4.6	5.4	6.8	6.2		AWG#14-10	3.0-5.1	

NOTES

1. MATERIAL: TIN-PLATED BRASS 0.4mm THICK'
2. APPLICABLE HOUSING: 35196-0110
3. MATING TAB WIDTH : 6.35mm

THIS DRAWING CONTAINS INFORMATION THAT IS PROPRIETARY TO MOLEX ELECTRONIC TECHNOLOGIES, LLC AND SHOULD NOT BE USED WITHOUT WRITTEN PERMISSION

DIMENSION UNITS mm	SCALE 5:1	CURRENT REV DESC: OBSOLETE PART NO		molex	
GENERAL TOLERANCES (UNLESS SPECIFIED)		EC NO: 625872			
4 PLACES ±	MM INCH	DRWN: AKUMAR19	2019/06/12	PRODUCT CUSTOMER DRAWING	
3 PLACES ±		CHK'D: GB	2019/11/06	DOCUMENT NUMBER	
2 PLACES ± 0.3		APPR: GGA	2019/11/12	SD-35072-9702	DOC TYPE DOC PART REVISION
1 PLACE ± 0.3		INITIAL REVISION:		PSD	001 B
0 PLACES ±		DRWN: W.Y.YANG	1996/03/19	MATERIAL NUMBER	
ANGULAR TOL ± 1.0°		APPR: C.W.LEE	1996/03/19	SEE TABLE	CUSTOMER
DRAFT WHERE APPLICABLE MUST REMAIN WITHIN DIMENSIONS	THIRD ANGLE PROJECTION	DRAWING	SERIES	GENERAL MARKET	SHEET NUMBER
		B-SIZE	35196		1 OF 1