

■ Features

- Single output from 6.6-15W
- 100-240Vac Universal Input
- IEC/EN/ANSI/AAMI ES60601-1 (Edition 3.1)
- EMC: IEC60601-1-2: 2014 (Edition 4)
- IEC/EN/UL 60950 & 62368 Approval
- Regulated output with low ripple noise
- Means of protection: 2 X MOPP
- Efficiency level VI
- Leakage current: <100µA
- Available plug types: US, EU, UK
- 2-year warranty



*Product images are for illustrative purposes only and may vary from actual design.

■ Application

- Medical equipment

■ Model List

Custom Designs Available!

Model	Output Voltage	Output Current	Power
WM-M012A-050-X-XX	5V	2A	10W
WM-M012A-059-X-XX	5.9V	1.7A	10W
WM-M012A-075-X-XX	7.5V	1.33A	10W
WM-M012A-090-X-XX	9V	1.12A	10W
WM-M012A-120-X-XX	12V	1A	12W
WM-M012A-150-X-XX	15V	0.8A	12W
WM-M012A-180-X-XX	18V	0.67A	12W
WM-M012A-240-X-XX	24V	0.50A	12W

■ Technical Data

Voltage	100-240Vac
Line Frequency	50-60Hz
Current	0.31A-0.17A
Protection	Internal Primary Current Fuse, Inrush Limiting
Configuration	A for US Plug
	C for UK Plug
	D for EU Plug
Load Regulation	±5%(Typical)

Technical Sales / Customer Service: +1-818-338-7788 • Email: sales@autec.com
 31328 Via Colinas Suite 102 • Westlake Village, CA 91362 USA • www.autec.com

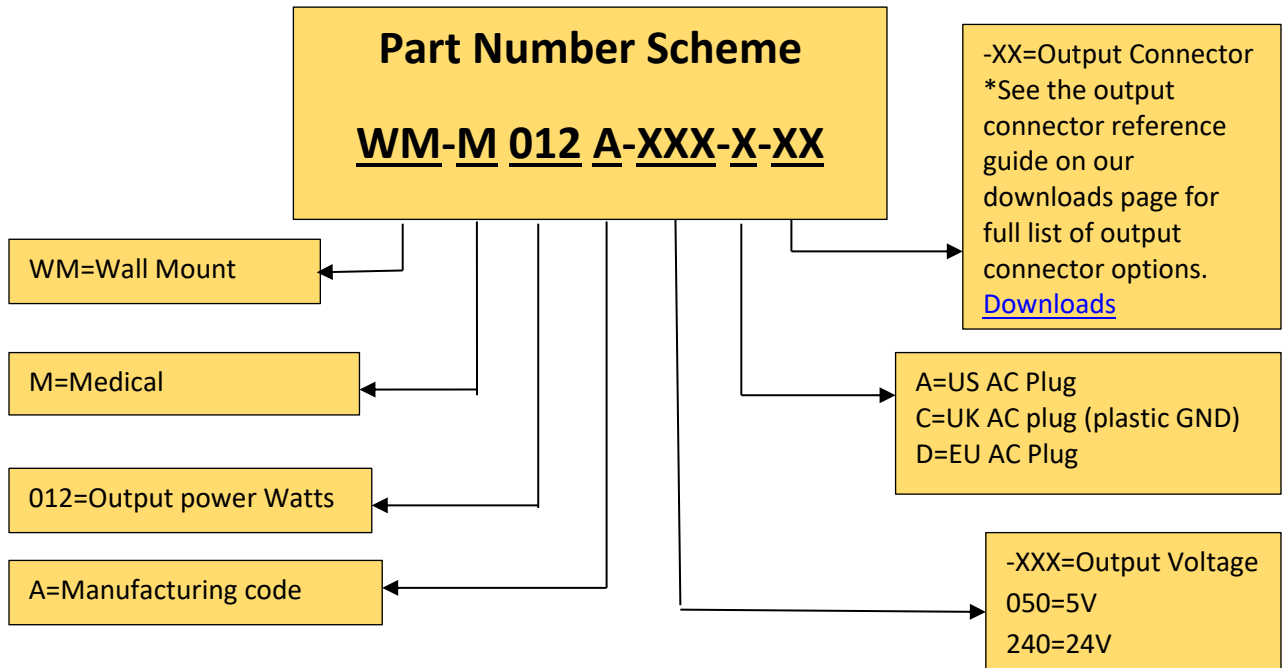
August 20, 2019

■ **Technical Data(cont.)**

Ripple	1-2% Vp-p Max. for Output Voltage @ Full Load
Transient Response	0.5mS for 50% Load Change Typical
Hold-up Time	10mS@ Full Load
Protection	Short Circuit Protection/ Over Voltage protection/ Over Current Protection
DC Cord	22AWG/20AWG/18AWG
Dielectric Withstand	4000Vac Primary- Secondary
Leakage Current	<100µA
Efficiency	Energy star level VI, ErP Stage 2, NRCan & GEMS Certified
MTBF	300,000 Calculated Hours at 25°C
Operating Temperature	0 to +40 °C
Storage Temperature	-20 to +80 °C
Relative humidity	Operating: 20 to 80% RH
	Storage: 10 to 90% RH
Cooling	Natural Convection Cooling
Case Dimensions	US: 80.2x46x57.5mm
	UK: 80.2x49.6x62.7mm
	EU: 80.2x46x68.7mm
Weight	US: 140g, AU: 144g, UK:148g, EU: 145g

■ **Safeties and Compliances**

Safety Approvals	UL/cUL/CE
EMI Conduction and Radiation	Compliance to EN55011 Class B
Harmonic Current	Compliance to EN61000-3-2, 3
EMS Immunity	Compliance to IEC60601-1-2



***Product images are for illustrative purposes only and may vary from actual design.**
***Specifications are subject to change without notice. Autec is not responsible for issues arising from errors or omissions.**