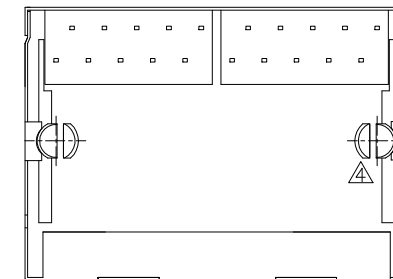
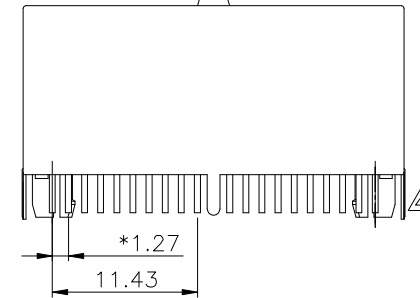
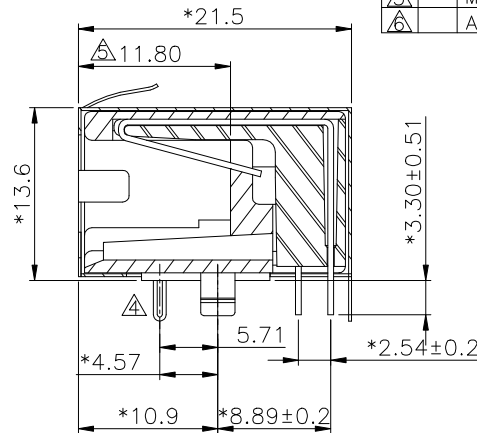
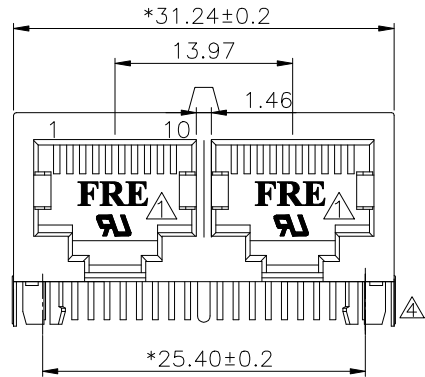


		REVISION RECORD			
REV	ECO	DESCRIPTION	DRFT	CHKD	
△		MODIFY DRAWING			LUXIN 12/15/04'
△		MODIFY DRAWING			LUXIN 02/03/05'
△		ADD PART NO.			LUXIN 02/19/05'
△		ADD PART NO.			QIANPIU 12/02/03'
△		ADD PART NO.			QIANPIU 01/08/04'
△		MODIFY DRAWING			QIANPIU 12/6/04'



NOTES:

ELECTRICAL:

- VOLTAGE RATING : 125 VAC RMS.
- CURRENT RATING : 1.5 AMP.
- CONTACT RESISTANCE : 50 MILLIOHMS MAX.
- INSULATION RESISTANCE: 1000 MEGOHMS MIN @ 500 VDC.
- DIELECTRIC STRENGTH : 1000 VAC RMS 60Hz, 1MIN.

MECHANICAL:

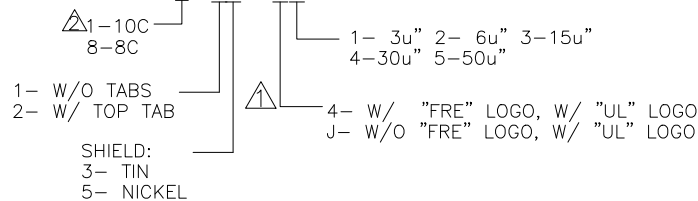
- HOUSING MATERIAL : GLASS FILLED POLYESTER UL94V-0 OR FR52.
- CONTACT MATERIAL : PHOSPHOR BRONZE t=0.35mm.
- PLATING : GOLD PLATING OVER NICKEL.
- OPERATING LIFE : 750 CYCLES MIN.
- PCB RETENTION PRE-SOLDER : 1 LB MIN.
- PCB RETENTION POST-SOLDER: 10 LBS MIN.

ENVIRONMENTAL:

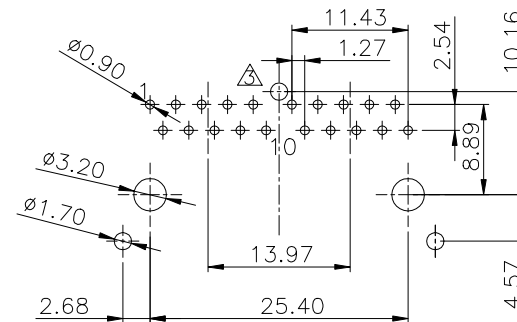
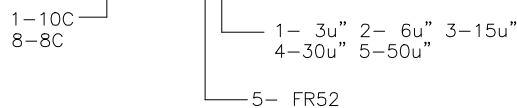
- STORAGE : -40°C TO +85°C.
- OPERATION: 0°C TO 70°C.

MATES WITH MODULAR PLUG CONFORMING TO FCC PART 68, SUBPART F.

PART NUMBER: E590X-XXA2XX



△ LEAD FREE PART NUMBER: E590X-15A25X-L



PC Board Layout Component Side Shown

MM (INCH) TOLERANCES EXCEPT AS NOTED .0 ±0.20 .00 ±0.15 .000 ±0.075		DFTO Syngde CHKDQIULER MFG APPVLLUSHENG MATERIAL : QTY : FINISH : SCALE : 1.25:1	DATE 5/12/2003 DATE2005/2/19 DATE DATE2005/2/19	FULL RISE ELECTRONIC CO., LTD TITLE 20.57 PCB JACK (2PORTS)	
DRAWING NO. GE593147 /PART NO. SEE NOTE			SIZE A3	REV 6	DO NOT SCALE DRAWING SHEET X OF Y