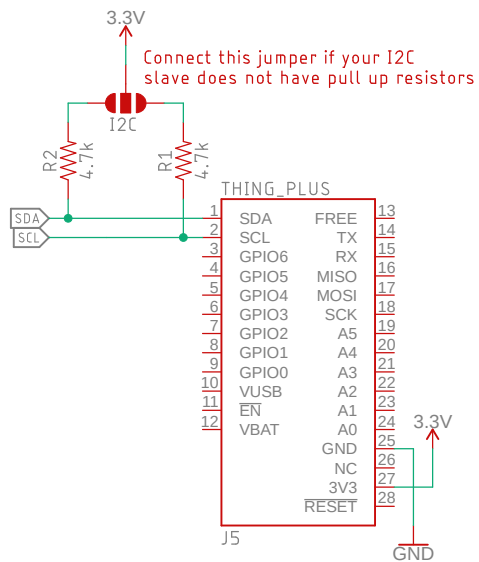
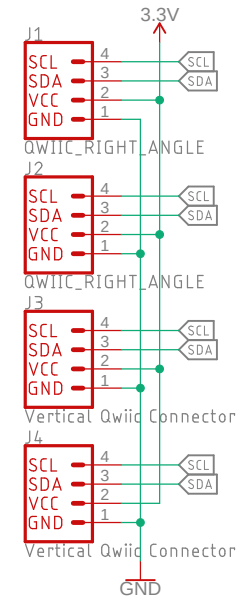


Thing Plus Footprint
VCC: 3.3V (Qwiic)



Qwiic Connectors



Released under the Creative Commons Attribution Share-Alike 4.0 License
<https://creativecommons.org/licenses/by-sa/4.0/>

TITLE: Qwiic_Shield_for_Thing_Plus

Design by: Andrew England

REV: v10

Date: 1/30/2020 9:13 AM

Sheet: 1/1