



RoHS Compliant

CT1102

Through-Hole Tactile

Specifications

Electrical Ratings	50mA @ 50VDC
Electrical Life	100,000 cycles typical
Contact Resistance	<50mΩ initial
Actuation Force	100, 160, 260 ± 50gF
Actuation Travel	.25 ± .1mm

Dielectric Strength	250Vrms min
Insulation Resistance	>100MΩ min
Operating Temperature	-40°C to 85°C
Storage Temperature	-40°C to 85°C

Materials

Actuator	6/6 Nylon
Housing	6/6 Nylon
Cover	Polyester
Contacts	Phosphor Bronze, Silver Plated
Terminals	Brass, Silver Plated

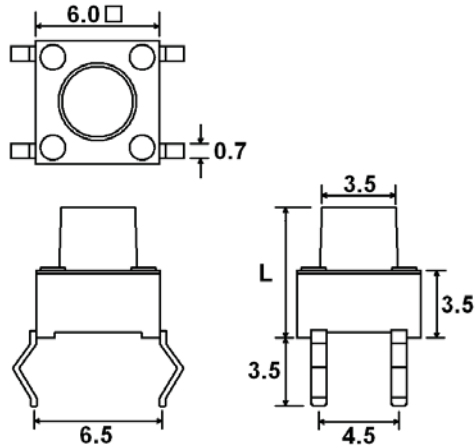
Ordering Information

1. Series	CT1102	5.0	F160	C053
CT1102 = Standard CT1102P = with grounding pin				
2. Actuation Length "L"				
4.3 = 4.3mm				
5.0 = 5.0mm				
7.0 = 7.0mm				
7.5 = 7.5mm				
8.0 = 8.0mm				
9.5 = 9.5mm				
11.0 = 11.0mm				
11.5 = 11.5mm				
12.0 = 12.0mm				
13.0 = 13.0mm				
14.5 = 14.5mm				
15.0 = 15.0mm				
17.0 = 17.0mm				
S2.4 = 2.4mm square head				
S2.8 = 2.8mm square head				
3. Actuator Force				
F100 = 100gF				
F160 = 160gF				
F260 = 260gF				
4. Cap Options	Cap Colors			
Blank = No Cap				
C01				
C02	** See Cap Options for color availability			
C03	** Caps available for S2.8 actuator only			
C04				
C05				

CT1102

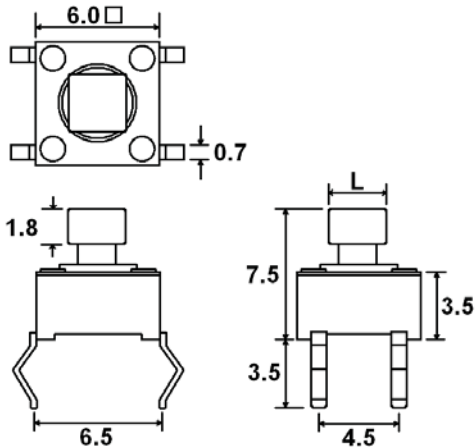
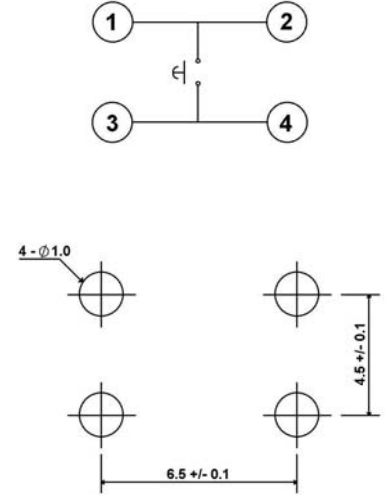
Through-Hole Tactile

Dimensions

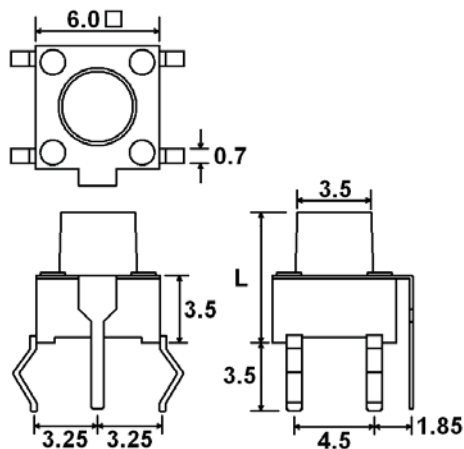
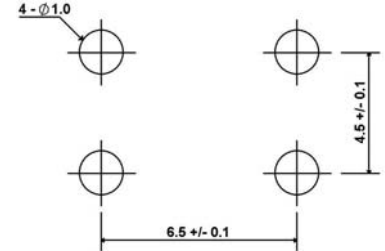


Part Number	"L" mm
CT11024.3	4.3
CT11025.0	5.0
CT11027.0	7.0
CT11027.5	7.5
CT11028.0	8.0
CT11029.5	9.5
CT110211.0	11.0
CT110211.5	11.5
CT110212.0	12.0
CT110213.0	13.0
CT110214.5	14.5
CT110215.0	15.0
CT110217.0	17.0

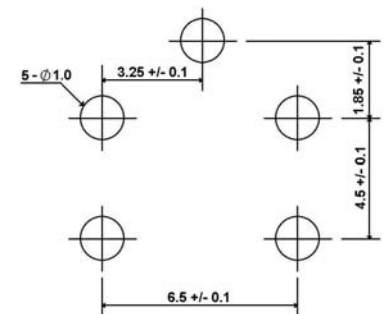
Schematic & PC Layout



Part Number	"L" mm
CT1102S2.4	2.4
CT1102S2.8	2.8



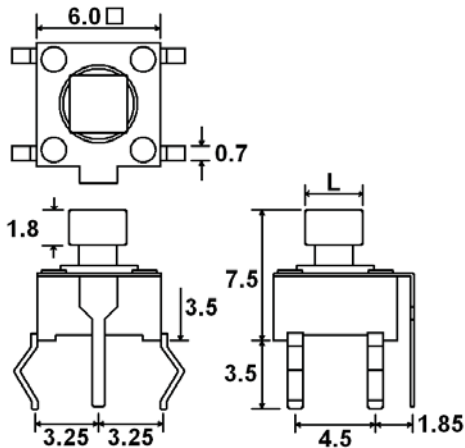
Part Number	"L" mm
CT1102P4.3	4.3
CT1102P5.0	5.0
CT1102P7.0	7.0
CT1102P7.5	7.5
CT1102P8.0	8.0
CT1102P9.5	9.5
CT1102P11.0	11.0
CT1102P11.5	11.5
CT1102P12.0	12.0
CT1102P13.0	13.0
CT1102P14.5	14.5
CT1102P15.0	15.0
CT1102P17.0	17.0



CT1102

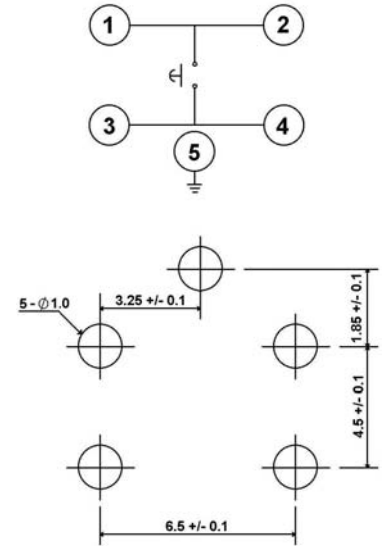
Through-Hole Tactile

Dimensions

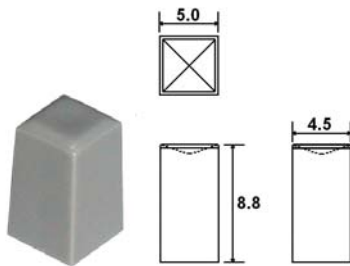


Part Number	"L" mm
CT1102PS2.4	2.4
CT1102PS2.8	2.8

Schematic & PC Layout

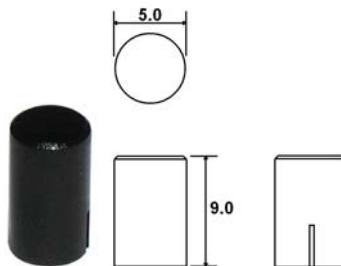


Cap Options for S2.8 Actuator



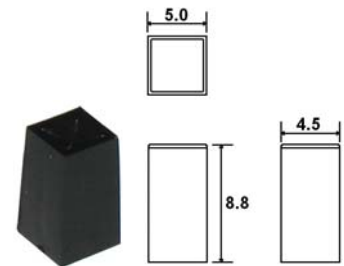
C01

1 = White, 2 = Black, 3 = Red, 9 = Light Gray
Contact Factory for other available colors



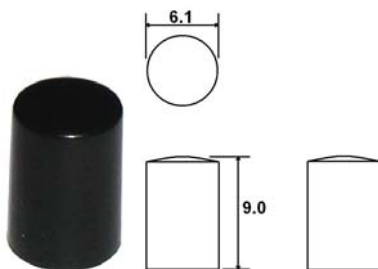
C02

1 = White, 2 = Black, 3 = Red, 9 = Light Gray
Contact Factory for other available colors



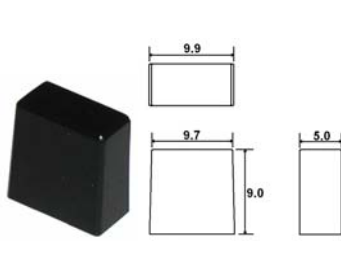
C03

1 = White, 2 = Black, 3 = Red, 9 = Light Gray
Contact Factory for other available colors



C04

1 = White, 2 = Black, 3 = Red, 9 = Light Gray
Contact Factory for other available colors



C05

1 = White, 2 = Black, 3 = Red, 9 = Light Gray
Contact Factory for other available colors