

Commercial Grade SMA Adapters

Features

- Best combination of price and performance
- For general commercial use
- 18 GHz operation
- Gold plated brass construction
- SMA(M) – SMA(F), SMA(M) – SMA(M), SMA(F) – SMA(F)
- Bulkhead SMA(F) – SMA(F)
- RoHS compliant

Applications

- Cellular base stations
- Public safety systems
- Wi-Fi networks hardware
- Active antenna systems
- 5G network hardware
- GPS systems

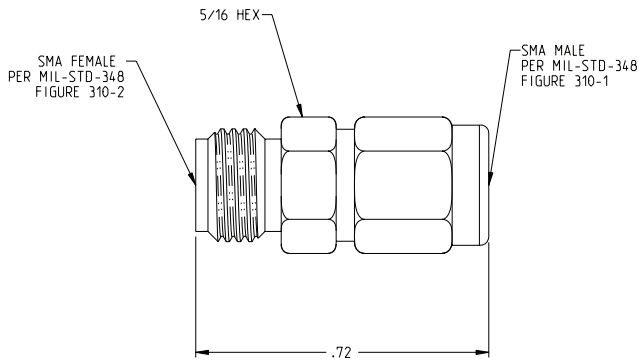
Part Numbers

Part Number	Termination Type	Frequency
CGM-1180-MF-SMA-09	SMA Male to SMA Female Adapter	DC-18 GHz
CGM-1180-MM-SMA-09	SMA Male to SMA Male Adapter	DC-18 GHz
CGM-1180-FF-SMA-09	SMA Female to SMA Female Adapter	DC-18 GHz
CGM-1180-FB-SMA-09	SMA Female to SMA Female Bulkhead Adapter	DC-18 GHz

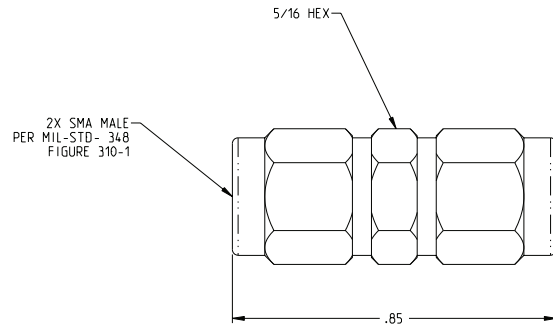
Commercial Grade SMA Adapters



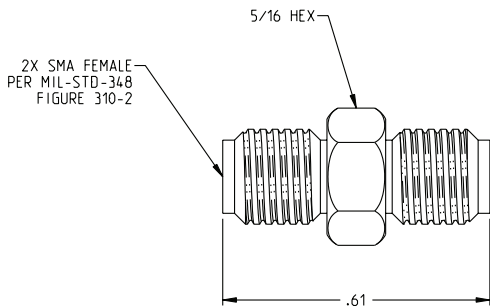
CGM-1180-MF-SMA-09



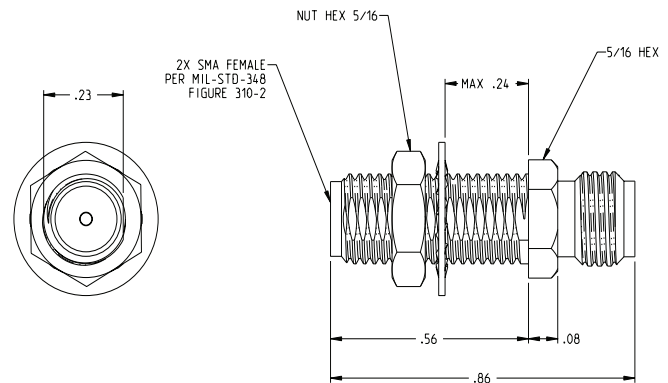
CGM-1180-MM-SMA-09



CGM-1180-FF-SMA-09



CGM-1180-FB-SMA-00



Electrical

Frequency of Operation	DC-18 GHz
Impedance	50Ω (Nominal)
VSWR	1.2:1 (max.)

Materials and Finish

Body	Gold plated brass
Male Center Contact	Gold plated brass
Female Center Contact	Gold plated beryllium copper
Insulator	PTFE

Environmental

Operating Temperature	-40°C to +85°C
-----------------------	----------------



Asia Pacific
+86 21 5442 7668
ccs.asia.sales@as.cinch.com

Europe, Middle East & Africa
+44 (0) 1245 342060
cinchconnectivity@eu.cinch.com

North America
+1 507 833 8822
ccsorders@us.cinch.com

belfuse.com/cinch