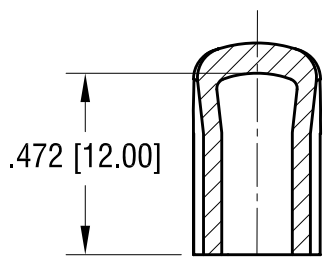
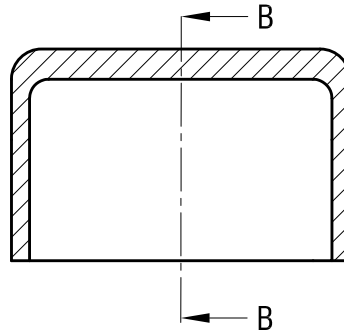


THIS DOCUMENT IS THE PROPERTY OF
KEYSTONE ELECTRONICS CORP. AND
SHALL NOT BE REPRODUCED, DISTRIBUTED
OR USED AS A BASIS FOR MANUFACTURE
WITHOUT PRIOR WRITTEN PERMISSION
FROM KEYSTONE ELECTRONICS CORP.

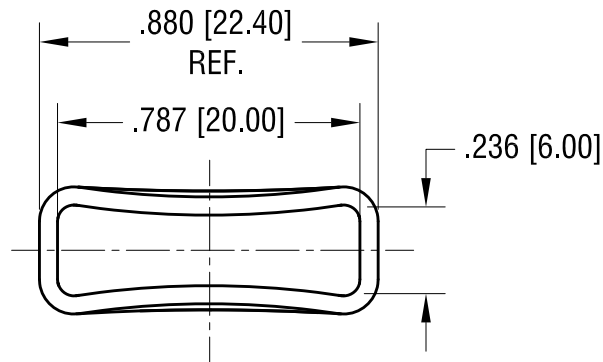
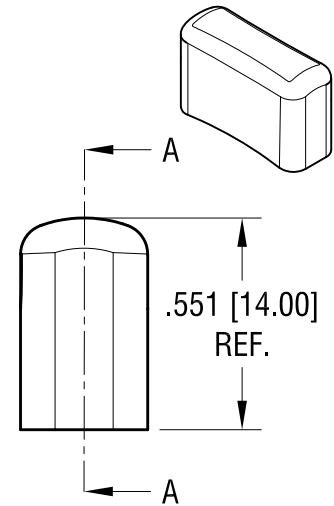
ACTUAL SIZE



SECTION B-B



SECTION A-A



1.10.18	CHANGE AS PER ECN 18-004	A
DATE	DESCRIPTION	REV.

KEYSTONE ELECTRONICS CORP.			
www.keyelco.com • NEW HYDE PARK, NY 11040 • Tel (516) 328-7500			
PART NAME			
COVER FOR 4.6mm x 15mm FUSE BLOCK			
MATERIAL			
PVC ULV-0			
FINISH		DRN BY	DATE
NONE		NT	12.03.10
		APP'D	SCALE
		LN	2X
TOLERANCES	INCH [MM]	CODE	DWG NO.
DECIMAL	± .039 [± 1.00]	C	3521C
ANGULAR	± 1°		
UNLESS OTHERWISE SPECIFIED			