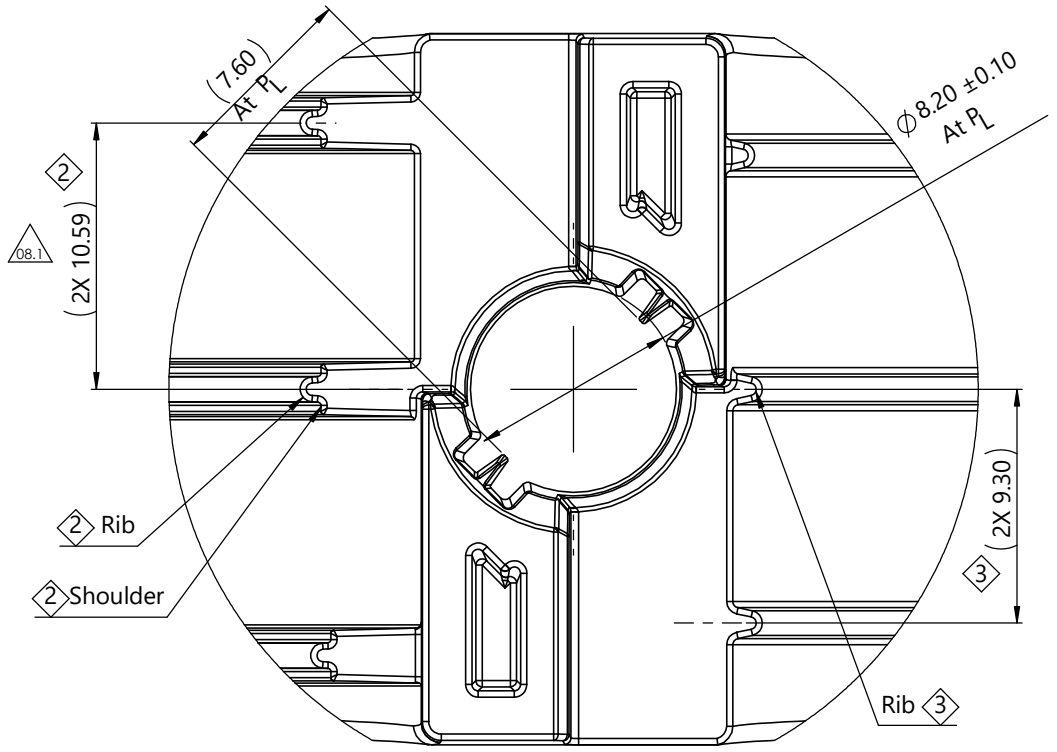


Section B-B



DETAIL A
SCALE 5 : 1

- Notes:**
- 1. = Inspection Dimension
 - 2. Applies to sizes 00 and 2ga only
 - 3. Applies to size 0000 only

Global Part Description	Material	Color	RIB DIAMETERS					
			Position 1			Position 2		
			Ø A	Ø C	Size	Ø B	Ø D	Size
HDCM2A-PA66GF15-BK	PA66GF15	Black	N/A	23.70 ^{+0.13} _{-0.75}	0000	N/A	23.70 ^{+0.13} _{-0.75}	0000
HDCM2B-PA66GF15-GN	PA66GF15	Green	18.80 ^{+0.13} _{-0.50}	17.20 ^{+0.13} _{-0.50}	00	18.80 ^{+0.13} _{-0.50}	17.20 ^{+0.13} _{-0.50}	00
HDCM2C-PA66GF15-BU	PA66GF15	Blue	N/A	23.70 ^{+0.13} _{-0.75}	0000	18.80 ^{+0.13} _{-0.50}	17.20 ^{+0.13} _{-0.50}	00
HDCM2D-PA66GF15-NA	PA66GF15	Natural	N/A	23.70 ^{+0.13} _{-0.75}	0000	16.60 ^{+0.13} _{-0.50}	15.00 ^{+0.13} _{-0.50}	2 Ga

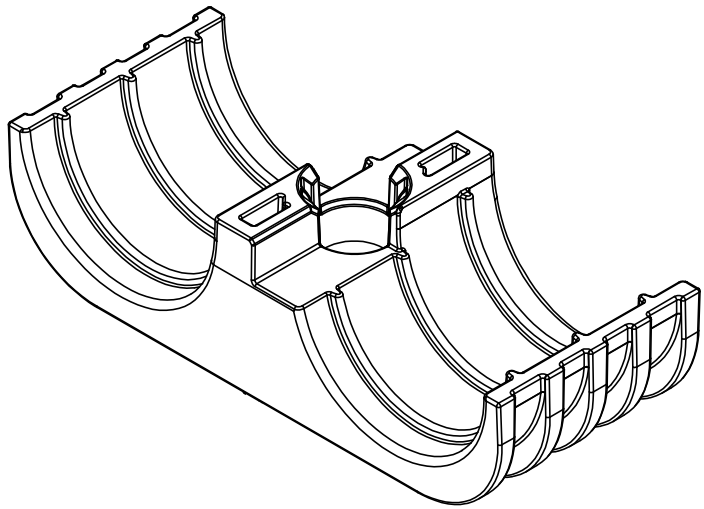
Revision level			Revision Record		
Drawing	State	Part	ECN 016636: Update Tolerances, material		
08.1	Design Release	-	ECN 016380: update rib spacing and size		
Changed	Date (YYYY/MM/DD)		ECN 016281: Change 0000 rib design		
Floyd	2021/03/11				
Approved	Date (YYYY/MM/DD)				
Vaughn	2021/03/11				

The copyright of this drawing is reserved by HellermannTyton.

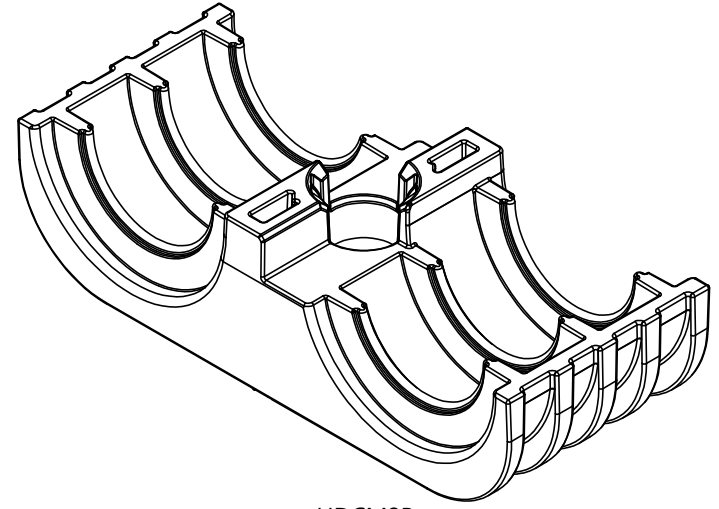
All drawing revision are stored in CAD PDM database

Drawn	Date (YYYY/MM/DD)	Title	Scale
Floyd	2020/02/04	Dual Hose Clamp	1:1
Approved	Date (YYYY/MM/DD)		Global Project Number
Toll	2020/02/04		20-0134
Units		Drawing-No	Format
mm		20-0134-001-CSU	A3
			Sheet
			1/2

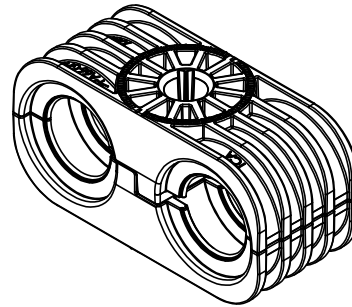
HellermannTyton
www.HellermannTyton.com



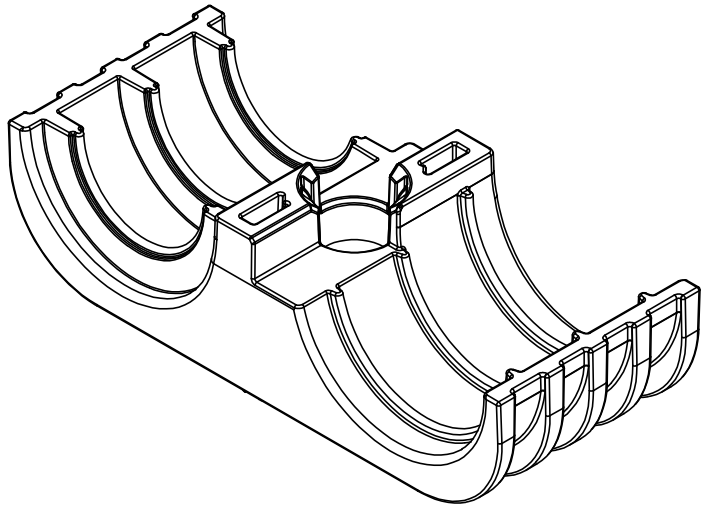
HDCM2A
Isometric View
SCALE 2 : 1



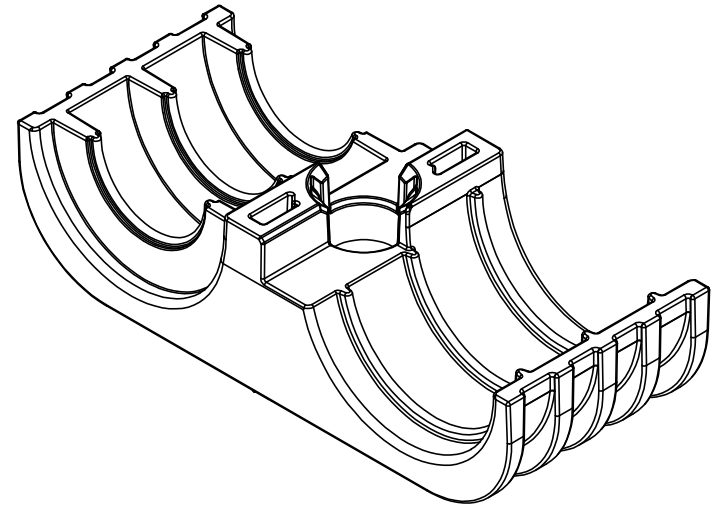
HDCM2B
Isometric View
SCALE 2 : 1



HDCM2A
Assembled View



HDCM2C
Isometric View
SCALE 2 : 1



HDCM2D
Isometric View
SCALE 2 : 1

Revision level		Revision Record		 6380601628156 this drawing is reserved by HellermannTyton.	Drawn	Date (YYYY/MM/DD)	ECN 01628156 Change 001 Title Dual Hose Clamp	Scale	1:1
Drawing	State	Part	ECN 016636: Update Tolerances, material		Approved	Date (YYYY/MM/DD)		Global Project Number	20-0134
08.1 Design Release		-		Approved Date (YYYY/MM/DD) 2020/02/04		Drawing-No 20-0134-001-CSU		Format	A3
Changed	Date (YYYY/MM/DD)			Units mm		 www.HellermannTyton.com		Sheet	2/2
Floyd	2021/03/11								
Approved	Date (YYYY/MM/DD)								
Vaughn	2021/03/11								