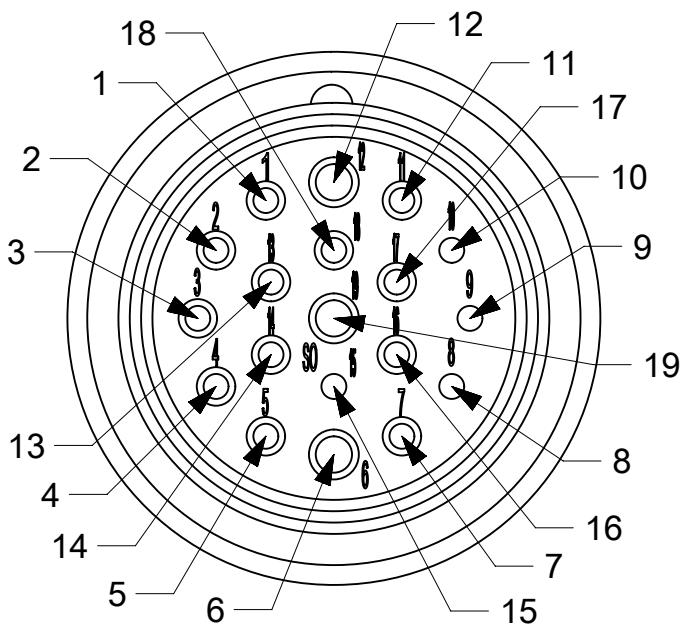
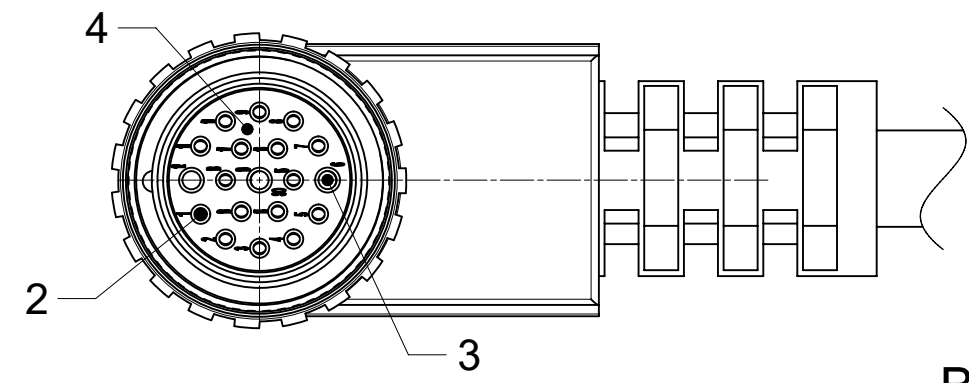
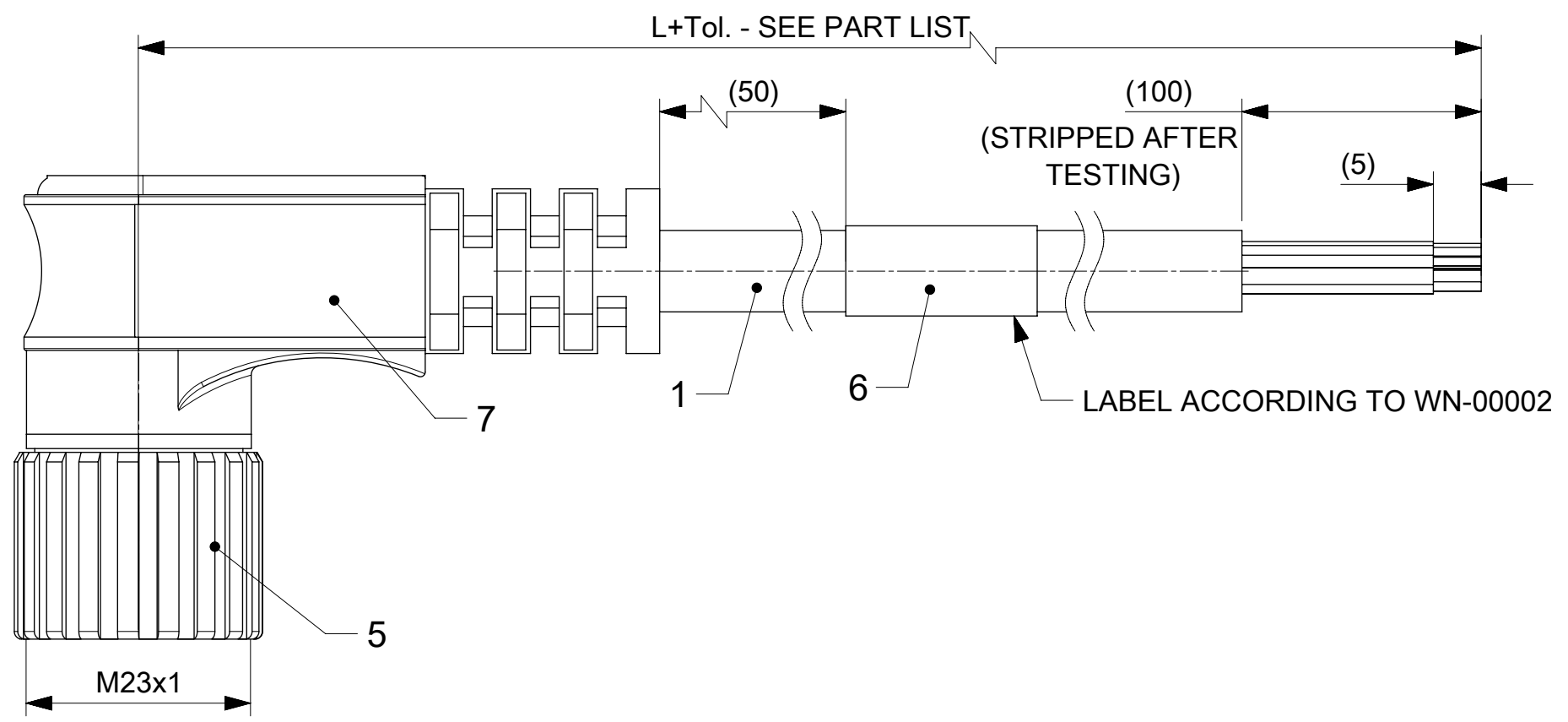


M23 19 POLE FEMALE



Pin	Wire color
1	VT
2	RD
3	GY
4	RD-BU
5	GN
6	BU
7	GY-PK
8	WH-GN
9	WH-YE
10	WH-GY
11	BK
12	GN-YE
13	YE-BN
14	BN-GN
15	WH
16	YE
17	PK
18	GY-BN
19	BN

VIEW FROM THE FRONT SIDE



VIEW FROM THE FRONT SIDE

WIRING DIAGRAM

1	VIOLET
2	RED
3	GREY
4	RED-BLUE
5	GREEN
6	BLUE
7	GREY-PINK
8	WHITE-GREEN
9	WHITE-YELLOW
10	WHITE-GREY
11	BLACK
12	GREEN-YELLOW
13	YELLOW-BROWN
14	BROWN-GREEN
15	WHITE
16	YELLOW
17	PINK
18	GREY-BROWN
19	BROWN

BOM

ITEM	QTY	DESCRIPTION	MATERIAL FINISH
7	-	MOULDING	TPU
6	1	LABEL	VINYL
5	1	COUPLING NUT M23 FE	BRASS
4	1	INSERT 19P FE	PUR
3	3	CONTACT FE	BRASS
2	16	CONTACT 10 FE	COPPER
1	-	CABLE	PUR

THIS DRAWING CONTAINS INFORMATION THAT IS PROPRIETARY TO MOLEX ELECTRONIC TECHNOLOGIES, LLC AND SHOULD NOT BE USED WITHOUT WRITTEN PERMISSION

DIMENSION UNITS mm	SCALE 1.5:1	CURRENT REV DESC: OBSOLETE PART NUMBERS AS PER PCN#506884	molex		
GENERAL TOLERANCES (UNLESS SPECIFIED)					
ANGULAR TOL ± °			PRODUCT CUSTOMER DRAWING		
4 PLACES ±	EC NO: 662770	2021/03/02	DOCUMENT NUMBER		
3 PLACES ±	DRWN: SUGEEB	2021/06/02	DOC TYPE DOC PART REVISION		
2 PLACES ± 0.05	CHK'D: GGA	2021/06/02	1200940044 PSD 000 A1		
1 PLACE ± 0.1	APPR: GGA				
0 PLACES ±	INITIAL REVISION:				
DRAFT WHERE APPLICABLE MUST REMAIN WITHIN DIMENSIONS			SHEET NUMBER		
THIRD ANGLE PROJECTION			MATERIAL NUMBER		
DRAWING			CUSTOMER		
SERIES			GENERAL MARKET		
A3-SIZE			1 OF 2		

PART No MATRIX

K 0 3 0 0 1 P 8 0 M X X X

K0=M23x1 SINGLE ENDED

POLES:
3=19 POLES

HEAD STYLE:
001=FEMALE

CABLE TYPE:
P80=3x0,75+16x0,34 PUR BLACK

UNIT:
M=METER

LENGHT -
EXAMPLE:
010=1m
050=5m
100=10m

CABLE SPECIFICATION FOR CABLE TYPE P80 :

CONDUCTOR A:
MATERIAL: BARE COPPER
SECTION: 0.75mm²/19AWG
STRANDING: 42X0.15mm

INSULATION A:
COMPOUND: PVC
DIAMETER: 2.0 ±0.10mm

CONDUCTOR B:
MATERIAL: BARE COPPER
SECTION:- 0.34mm²/22AWG
INSULATION B:

COMPOUND: PVC
DIAMETER: 1.55 ±0.10mm

JACKET:
COMPOUND: BLEND PUR
COLOR: BLACK
DIAMETER: 11.40 ±0.25mm
TEMPERATURE RANGE:
STATIC: -5°C TO +90°C
DINAMIC: -30°C TO +90°C
VOLTAGE RATING: 300V


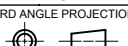
NOTES:

VOLTAGE RATING : 63V AC/DC
AMPERAGE RATING : 6.0 A
PROTECTION CLASS : IP67
OPERATING TEMPERATURE : -25° TO 90°C
UL CERTIFICATIONS : NOT APPLICABLE
CSA CERTIFICATIONS : NOT APPLICABLE

PART LIST

MOLEX PN	ENGINEERING No	L [mm]
1200940044	K03001P80M100	10000
1200945017	K03001P80M200	20000
1200945027	K03001P80M050	5000
1200945028	K03001P80M150	15000
1200948061	K03001P80M300	30000
1200948105	K03001P80M250	25000
1200948116	K03001P80M350	35000

CABLE LENGTH TOLERANCES		
OVER [mm]	UP TO AND INCLUDING [mm]	TOLERANCES [mm]
0	305	+19
305	915	+45
915	1830	+56
1830	3660	+89
3660	7320	+165
7320	14640	+317
14640	30500	+610
30500	>	+2% OF FINISHED LENGTH

THIS DRAWING CONTAINS INFORMATION THAT IS PROPRIETARY TO MOLEX ELECTRONIC TECHNOLOGIES, LLC AND SHOULD NOT BE USED WITHOUT WRITTEN PERMISSION									
DIMENSION UNITS	SCALE	CURRENT REV DESC: OBSOLETE PART NUMBERS AS PER PCN#506884							
mm	1:1	 CSE M23 19P SC FE RA PUR BK XM							
GENERAL TOLERANCES (UNLESS SPECIFIED)									
ANGULAR TOL	± °	EC NO: 662770 DRWN: SUGEEB CHK'D: GGA APPR: GGA							
4 PLACES	±	2021/03/02 2021/06/02 2021/06/02							
3 PLACES	±	INITIAL REVISION: DRWN: MDHARMANTI APPR: RSILLER							
2 PLACES	± 0.05	2019/06/03 2019/06/06							
1 PLACE	± 0.1	DOCUMENT NUMBER: 1200940044 DOC TYPE: PSD DOC PART: 000 REVISION: A1							
0 PLACES	±	MATERIAL NUMBER: SEE TABLE CUSTOMER: GENERAL MARKET SHEET NUMBER: 2 OF 2							
DRAFT WHERE APPLICABLE MUST REMAIN WITHIN DIMENSIONS		THIRD ANGLE PROJECTION	DRAWING	SERIES	MATERIAL NUMBER	CUSTOMER		SHEET NUMBER	
			A3-SIZE	120094	SEE TABLE	GENERAL MARKET		2 OF 2	