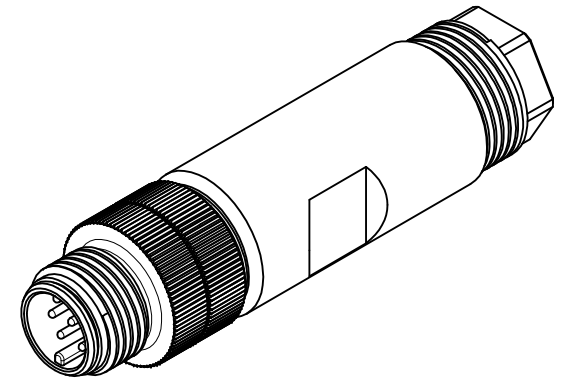


Fastening torque moments:
 Coupling screw: 0,8 Nm
 Front breech Nut: 1 Nm (1,5 Nm max.)
 Back breech Nut: 2,5 Nm

Technical Data
 M12 field attachable male 360°shielded solder version.
 The housing is extra slim.
 The cable clamp is optimized for n4,5mm, n6mm and n8mm cables.
 The termination suits up to 1mm² or AWG18.
 poles: 8
 coding: type A
 max voltage: 30 VAC / 36 VDC
 max current: 2A
 contact resistance: < 4m Ohm
 insulation withstand: > 100M Ohm
 protection: IP67
 temperature range: -40 to 100°C

packaging:
 The loose parts and the head are packed into a plastic bag and welded.



ENTER DESCRIPTION EC NO: IPG2014-1734 DRW:RSILLER 2014/04/04 CHKD:THAERDT 2014/09/01 APPR:CBURGER 2014/09/02	QUALITY SYMBOLS ▽=0 ◻=0	GENERAL TOLERANCES (UNLESS SPECIFIED)		DIMENSION STYLE MM ONLY		SCALE 2:1	DESIGN UNITS METRIC	THIRD ANGLE PROJECTION		
			mm	INCH	DRAWN BY NSTAUDIGEL	DATE 2009/11/13	TITLE FA M12 8P AC MA STR WIR UNSH BRA			
2	DESCRIPTION REV	4 PLACES	± ---	± ---	CHECKED BY FPACHER	DATE 2009/11/14	molex			
		3 PLACES	± ---	± ---	APPROVED BY CBURGER	DATE 2014/09/02				
		2 PLACES	± 0,05	± ---	MATERIAL NO. 1200715013		DOCUMENT NO. SD-120071-003		SHEET NO. 1 OF 1	
		1 PLACE	± 0,1	± ---	THIS DRAWING CONTAINS INFORMATION THAT IS PROPRIETARY TO MOLEX INCORPORATED AND SHOULD NOT BE USED WITHOUT WRITTEN PERMISSION					
		0 PLACE	± ---	± ---						
		ANGULAR ± 1 °								
		DRAFT WHERE APPLICABLE MUST REMAIN WITHIN DIMENSIONS								