

10 9 8 7 6 5 4 3 2 1

F

E

D

C

B

A

F

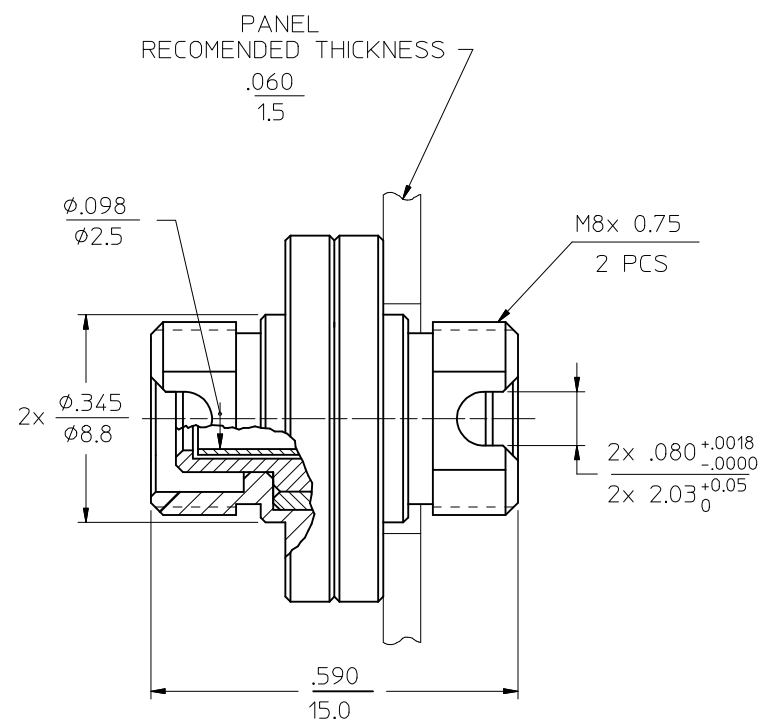
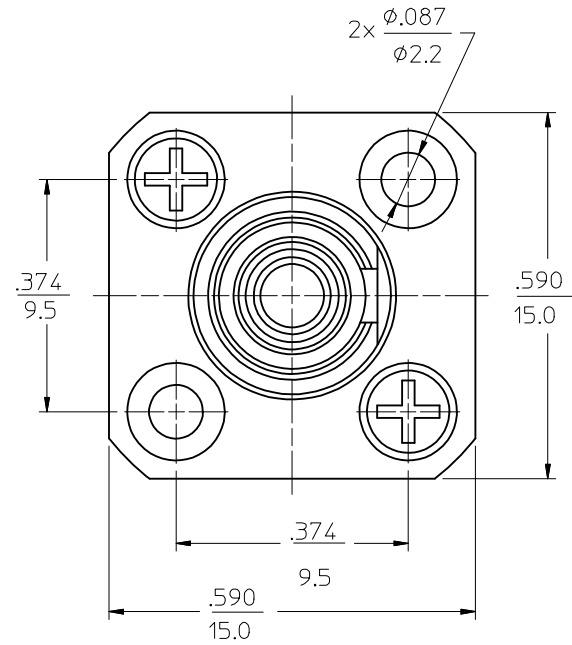
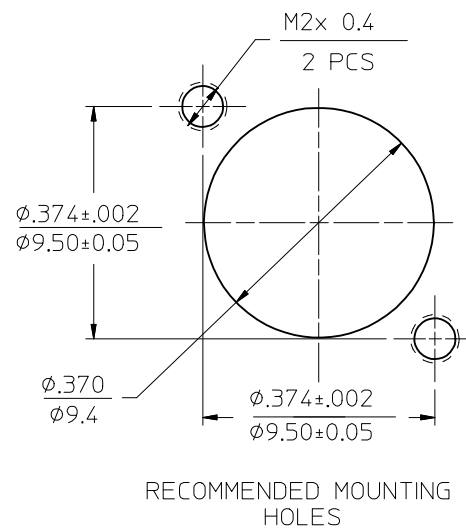
E

D

C

B

A



NOTE:
1. DUST CAPS ARE SHOWN, BUT NOT INCLUDED.

ENTER DESCRIPTION EC NO: MF2009-0610 DR: MANKPEVZNER 2009/05/12 CHKD: 2009/05/12 APPR: LGUMIN 2009/05/13 A1	QUALITY SYMBOLS ▽=0 ▽=0	GENERAL TOLERANCES (UNLESS SPECIFIED)		DIMENSION STYLE IN/MM	SCALE 5:1	DESIGN UNITS INCH	THIRD ANGLE PROJECTION	
		4 PLACES ± --- ± --- 3 PLACES ± --- ± --- 2 PLACES ± --- ± --- 1 PLACE ± --- ± ---	mm INCH	DRAWN BY DATE PGIBLIN 2005/10/25	TITLE FC ADAPTER (TIGHT FIT KEY)			
		ANGULAR ±1/2°		APPROVED BY DATE	MOLEX INCORPORATED			
		DRAFT WHERE APPLICABLE MUST REMAIN WITHIN DIMENSIONS		MATERIAL NO. 1061522000 SIZE B	DOCUMENT NO. SD-106152-2000	SHEET NO. 1 OF 01		

9 8 7 6 5 4 3 2 1