

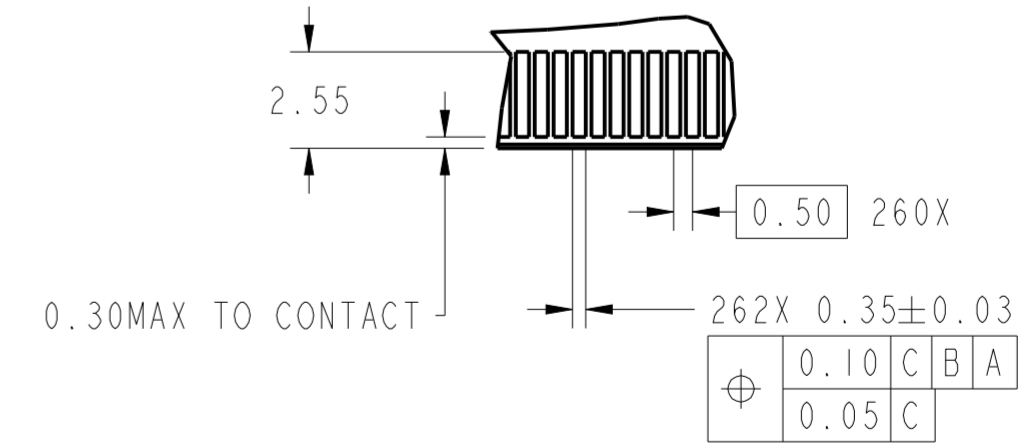
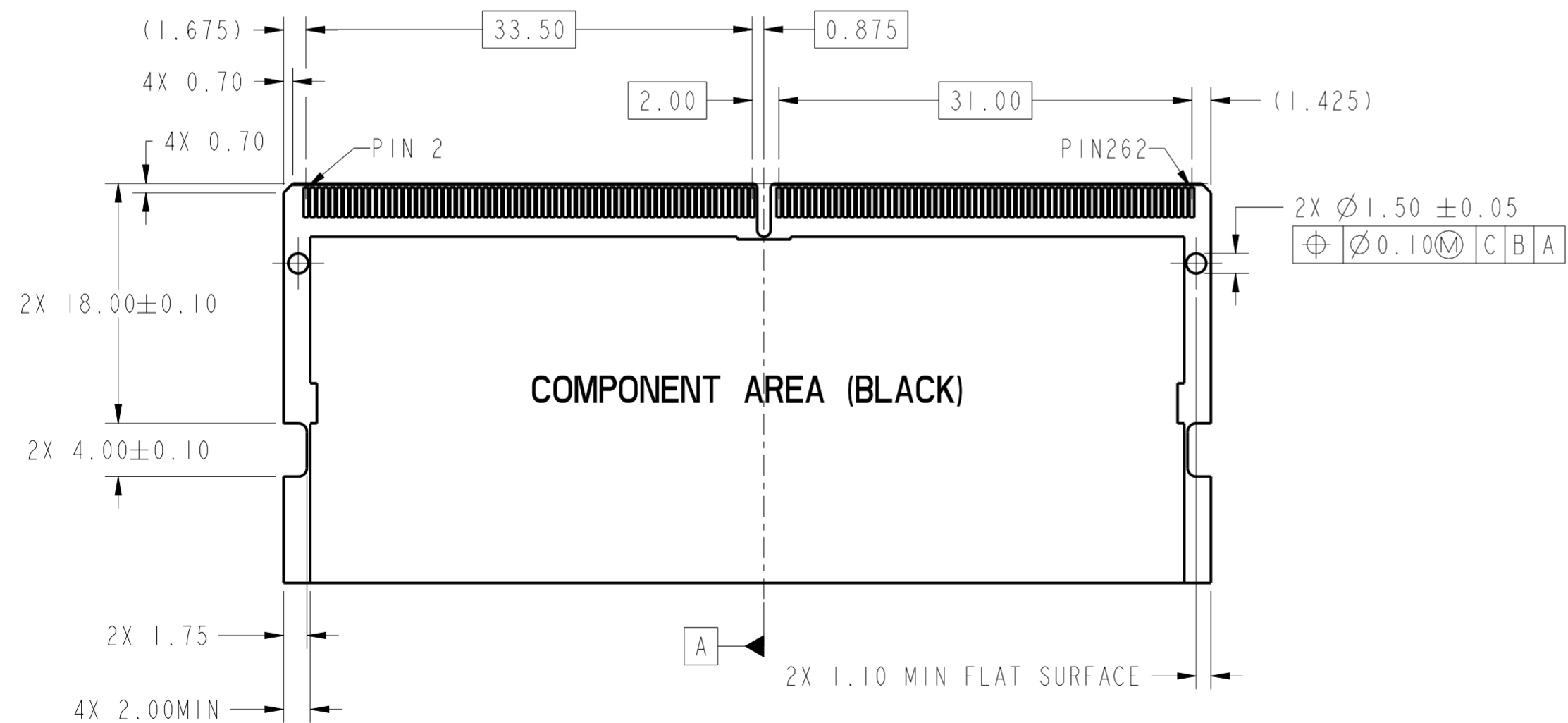
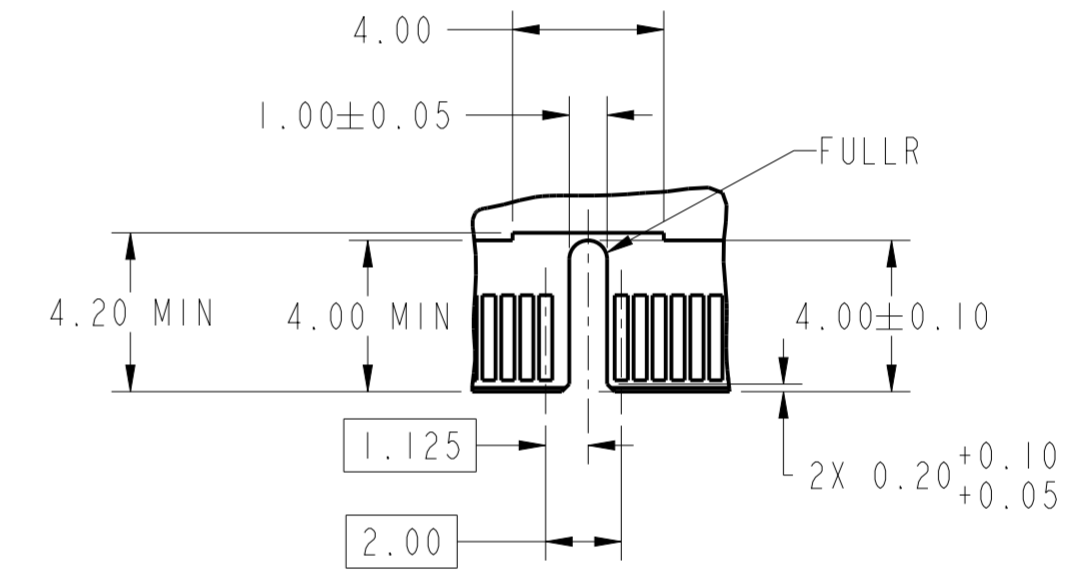
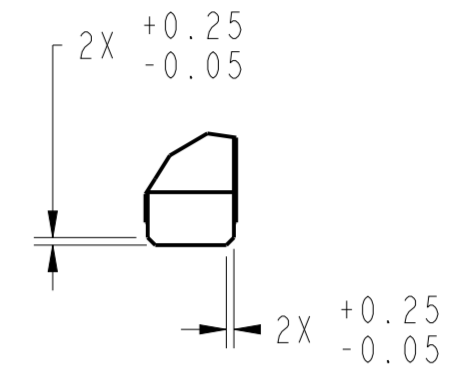
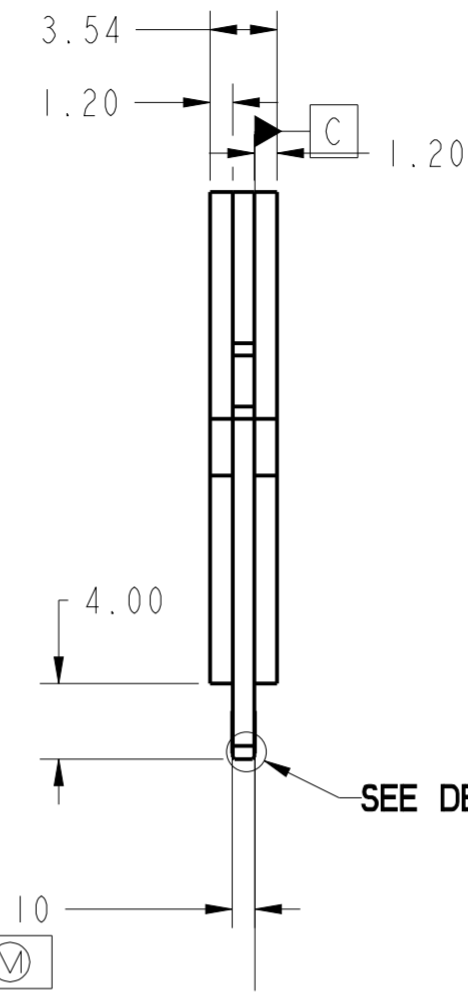
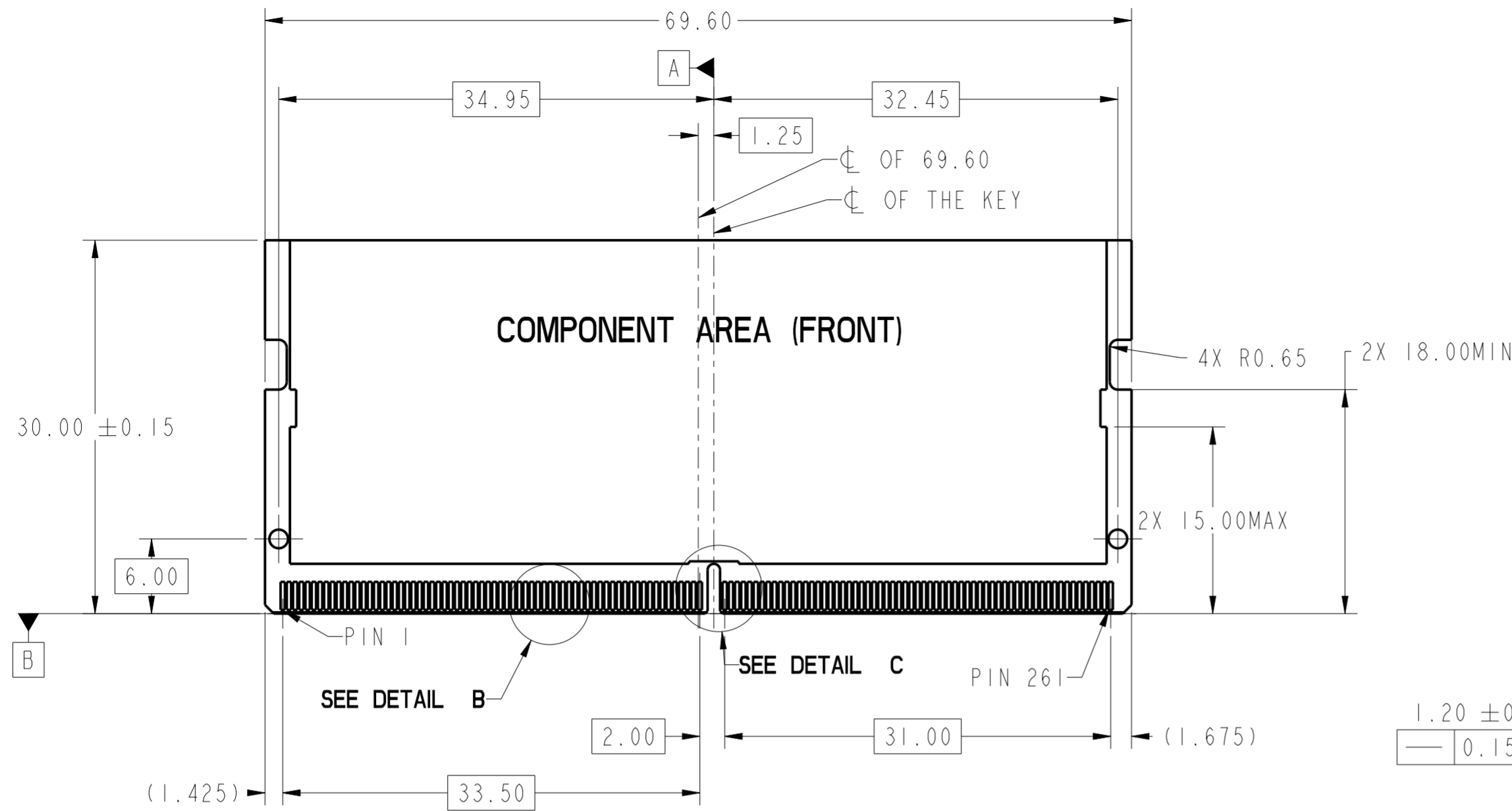
MATING: ① INSERTING (25°) → ② ROTATING → ③ FIXED
 UNMATING: ④ UNFIXED → ⑤ ROTATING → ⑥ WITHDRAWING

PRELIMINARY

spec ref	dr	LOREN LU	2021-03-10	projection	MM	size	A2	scale	1:1
tolerance std	eng	LOREN LU	2021-03-10			ecn no	rel level	In Work	rev
ISO 406	chr								
ISO 1101	appr			product family					
surface	linear	0.X	±0.30	Amphenol FCI		DDR5 SODIMM R/A 262PIN		cat. no.	10162416
		0.XX	±0.20	STD CONNECTOR 0.50mm PITCH		Product-Customer Drw		sheet 1 of 4	
	angular	0°	±2°						

Amphenol FCI

© 2016 APCI



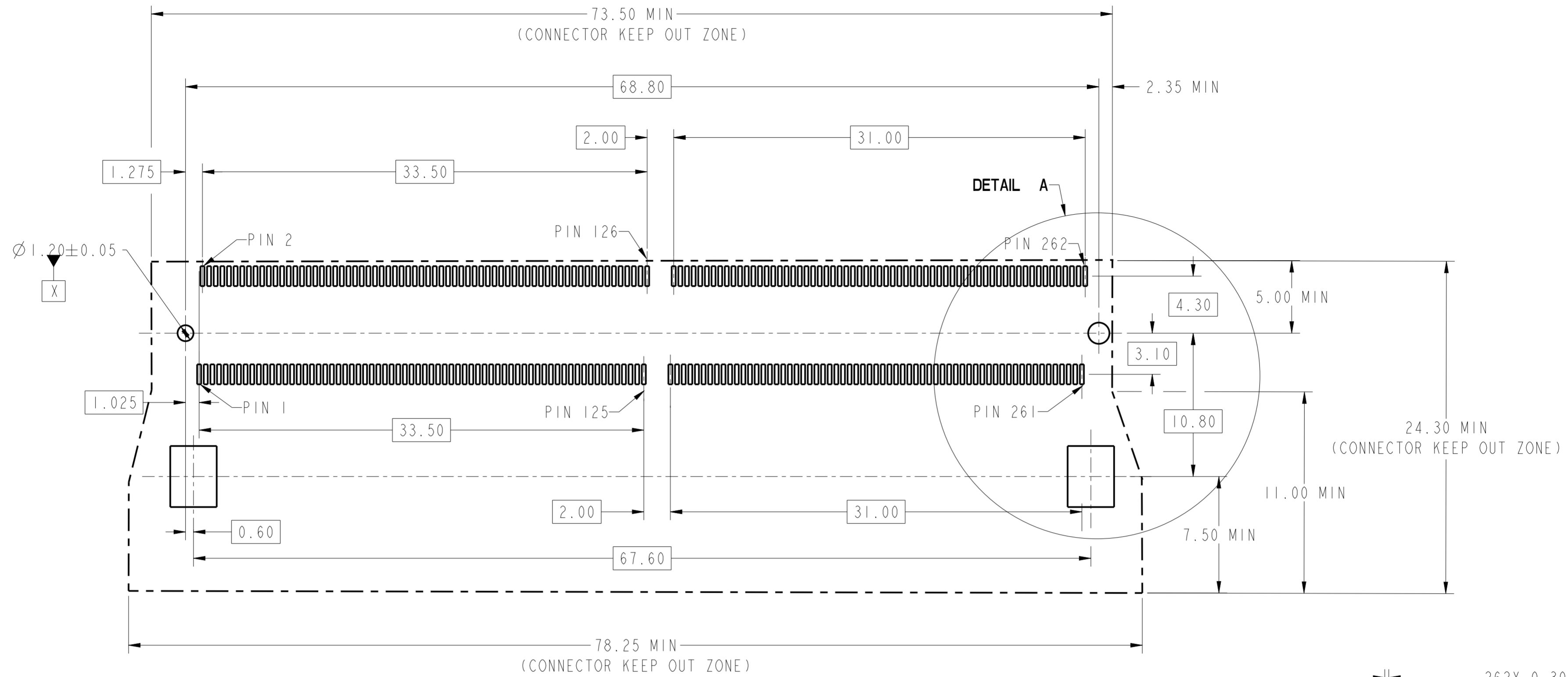
RECOMMEND CARD

PRELIMINARY

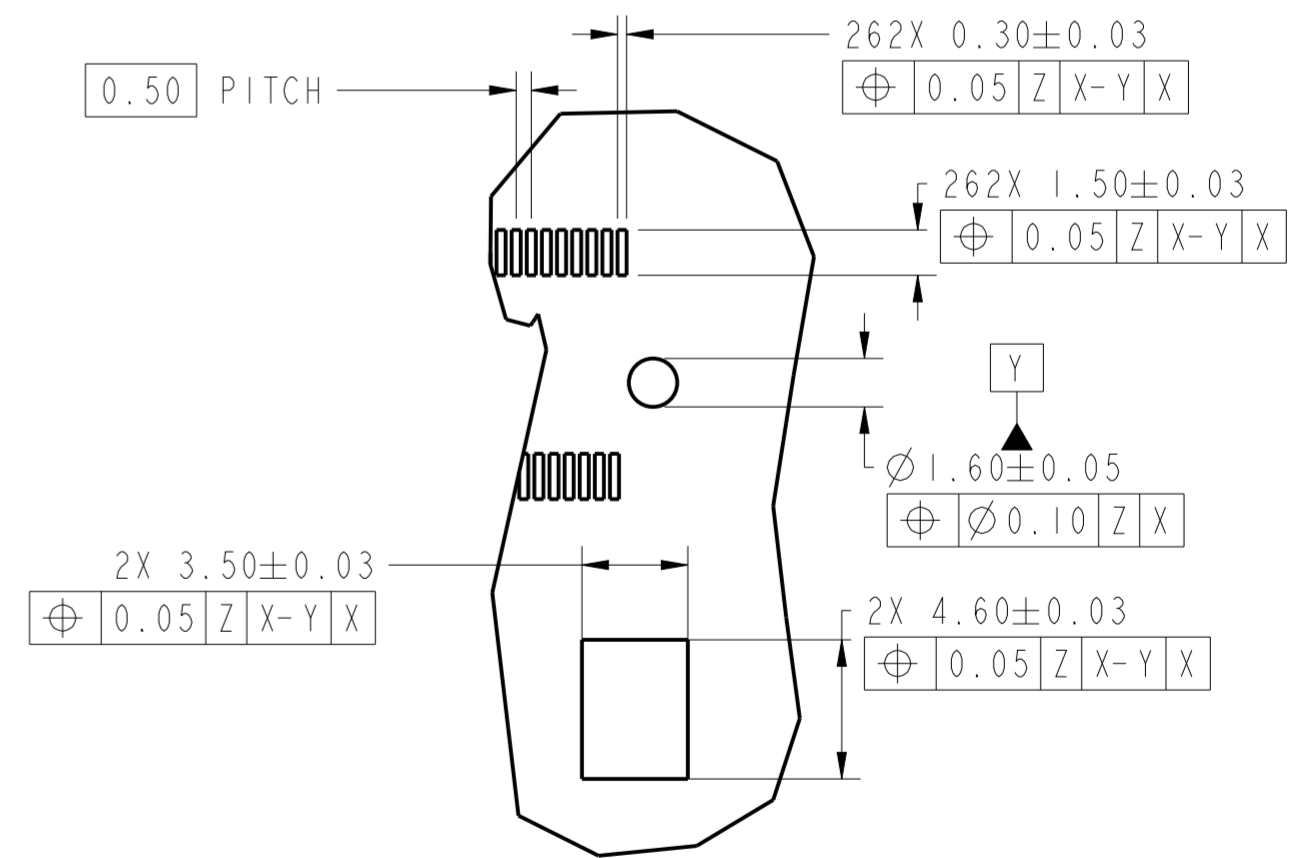
spec ref	dr LOREN LU	2021-03-10	projection	MM	size A2	scale 1:1
tolerance std ISO 406 ISO 1101	eng LOREN LU	2021-03-10	ϕ	←	ecn no	In Work
TOLERANCES UNLESS OTHERWISE SPECIFIED			product family		rel level	
surface	linear	0.X ±0.30 0.XX ±0.20 0.XXX ±0.10	Amphenol FCI	DDR5 SODIMM R/A 262PIN	10162416	rev I
ISO 1302	angular	0° ±2°	cat. no.	Product-Customer Draw	sheet 2 of 4	

Amphenol FCI

© 2016 APCI



RECOMMEND PCB LAYOUT
 THE TOLERANCE UNLESS SPECIFIED IS ±0.05MM



DETAIL A
 SCALE 4:1

PRELIMINARY

spec ref	dr	LOREN LU	2021-03-10	projection	MM	size	A2	scale	1:1
tolerance std	eng	LOREN LU	2021-03-10			ecn no	rel level	In Work	rev
ISO 406	chr	-	-						
ISO 1101	appr	-	-	product family	-	-	-	-	-
surface	linear	0.X	±0.30			DDR5 SODIMM R/A 262PIN		dwg no 10162416	rev I
ISO 1302	angular	0.XX	±0.20	STD CONNECTOR 0.50mm PITCH		Product-Customer Drw		sheet 3 of 4	
		0.XXX	±0.10	cat. no.	-				
		0°	±2°						

Amphenol
 FCI

© 2016 APCI

- NOTES:
1. MATERIAL:
 - 1.1 HOUSING:HIGH TEMPERATURE MATERIAL ,COLOR:BLACK.
 - 1.2 CONTACT:COPPER ALLOY.
 - 1.3 SOLDER TAIL AND HOLD DOWN:STAINLESS STEEL.
 2. FINISH:
 - 2.1 CONTACT: GOLD FLASH PLATING ON SOLDER TAIL.
GOLD PLATING (THICKNESS SEE PART NUMBER DESCRIPTION)
ON CONTACT AREA.
 - 2.2 SOLDER TAIL:
MATTE TIN PLATING ALL OVER,NICKEL UNDERPLATED ALL OVER.
 3. DATE CODE : SSYYWWD
S: MANUFACTURING SITE
VALLEY GREEN =V
DONGGUAN= DG
MALAYSIA= M
YY:YEAR
WW:WEEK
D: DAY (MONDAY=1)
 4. PRODUCT SPECIFICATION:GS-12-XXXX
 5. PACKAGE SPECIFICATION:GS-14-XXXX
 6. PRODUCT MARKING, (PART NUMBER&LOT CODE), ON THIS SURFACE
 7. LEAD FREE PRODCUT MEETS THE EUROPEAN UNION DRECTIVES&OTHER
COUNTRY REGULATIONS AS DESCRIBED IN GS-47-0004
 8. THE CONNECTOR WILL WITHSTAND EXPOSURE TO 260°C PEAK TMPERATURE
FOR 10 SECONDS IN CONVECTION, INFAR-RED ,OR VAPOR PHASE
REFLOW OVEN

PART NUMBER DESCRIPTION:

10162416-0 0 X R H L F



PRELIMINARY

spec ref		dr	LOREN LU	2021-03-10	projection	MM	size	A2	scale	1:1
tolerance std		eng	LOREN LU	2021-03-10		MM	ecn no		rel level	
ISO 406 ISO 1101		chr	-	-			In Work			
TOLERANCES UNLESS OTHERWISE SPECIFIED		appr			product family		rel level		In Work	
surface	linear	0.X	±0.30	Amphenol FCi	title	DDR5 SODIMM R/A 262PIN	cat. no.	-	Product-Customer Drw	sheet 4 of 4
		0.XX	±0.20							
		0.XXX	±0.10							
ISO 1302	angular	0°	±2°							

Amphenol
FCi

© 2016 APCI