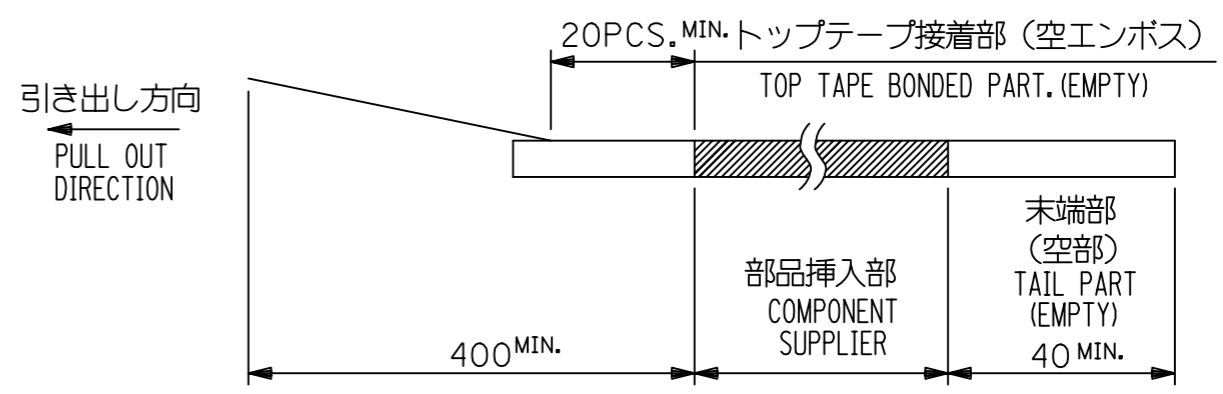


NOTE

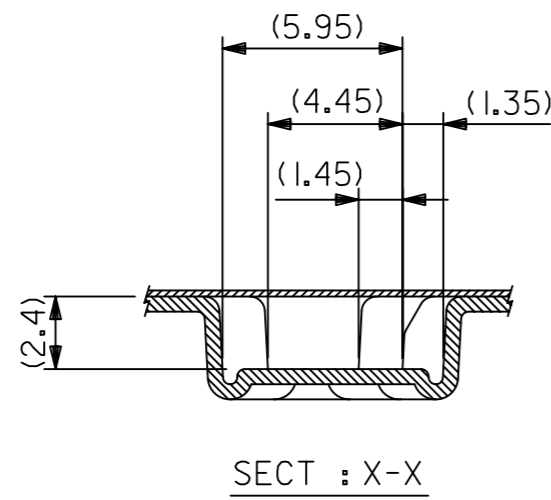
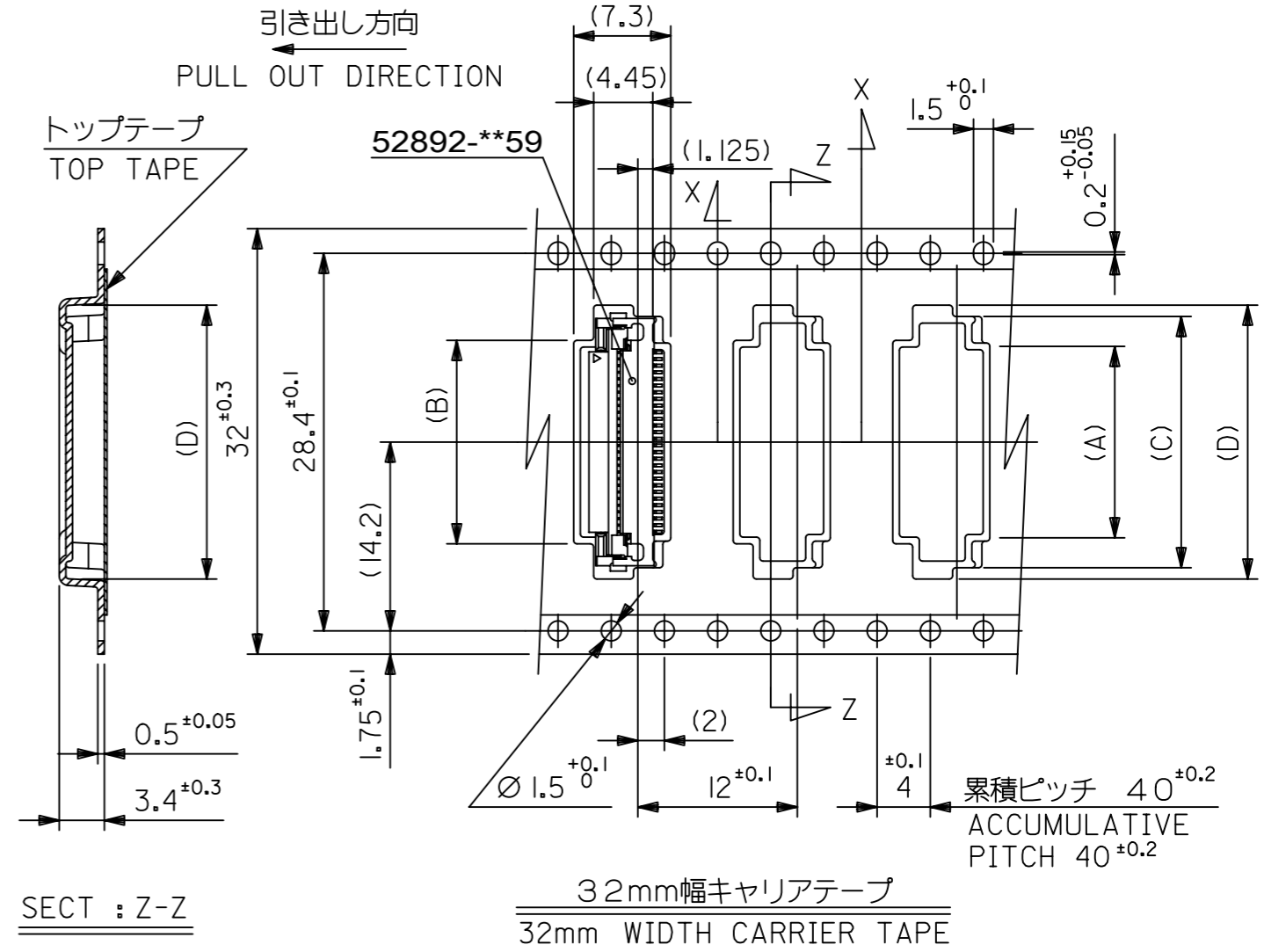
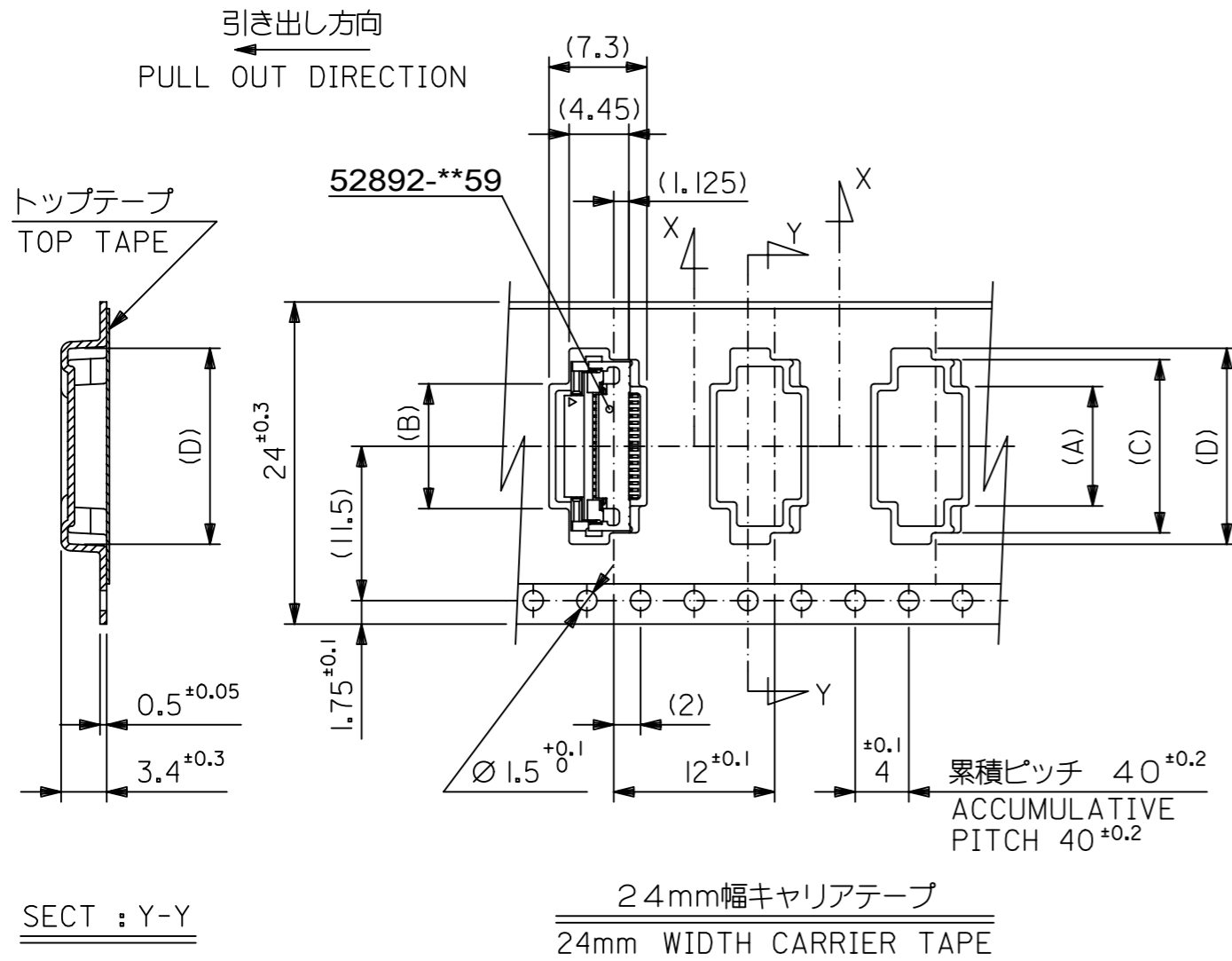
- 1.製品詳細寸法については図面 528921001 PSD 000 を参照下さい。
RE DETAILED DIMENSION, SEE DOC. NO. 528921001 PSD 000.
- 2.梱包数量：1000個/リール
NUMBER OF CONNECTORS：1000 PCS/REEL
- 3.リードテープ長さ LEAD TAPE LENGTH



3. トップテープの剥離強度：IEC60286-3.
PEELING OFF FORTH OF TOP TAPE：REFER TO IEC60286-3.
- 4.材料 MATERIAL
キャリアテープ：ポリプロピレン
トップテープ：PET, PE, PEF
リール：ポリスチレン (PS) <リサイクル材を含む>
CARRIER TAPE：POLYPROPYLENE
TOP TAPE：PET, PE, PEF
REEL：POLYSTYRENE (PS) <RECYCLE MATERIAL CONTAINED >
- 5.本製品は52892-**95の金めっき品である。
THIS PRODUCT IS GOLD PLATING OF 52892-**95.

MODEL NO. 52892-**96

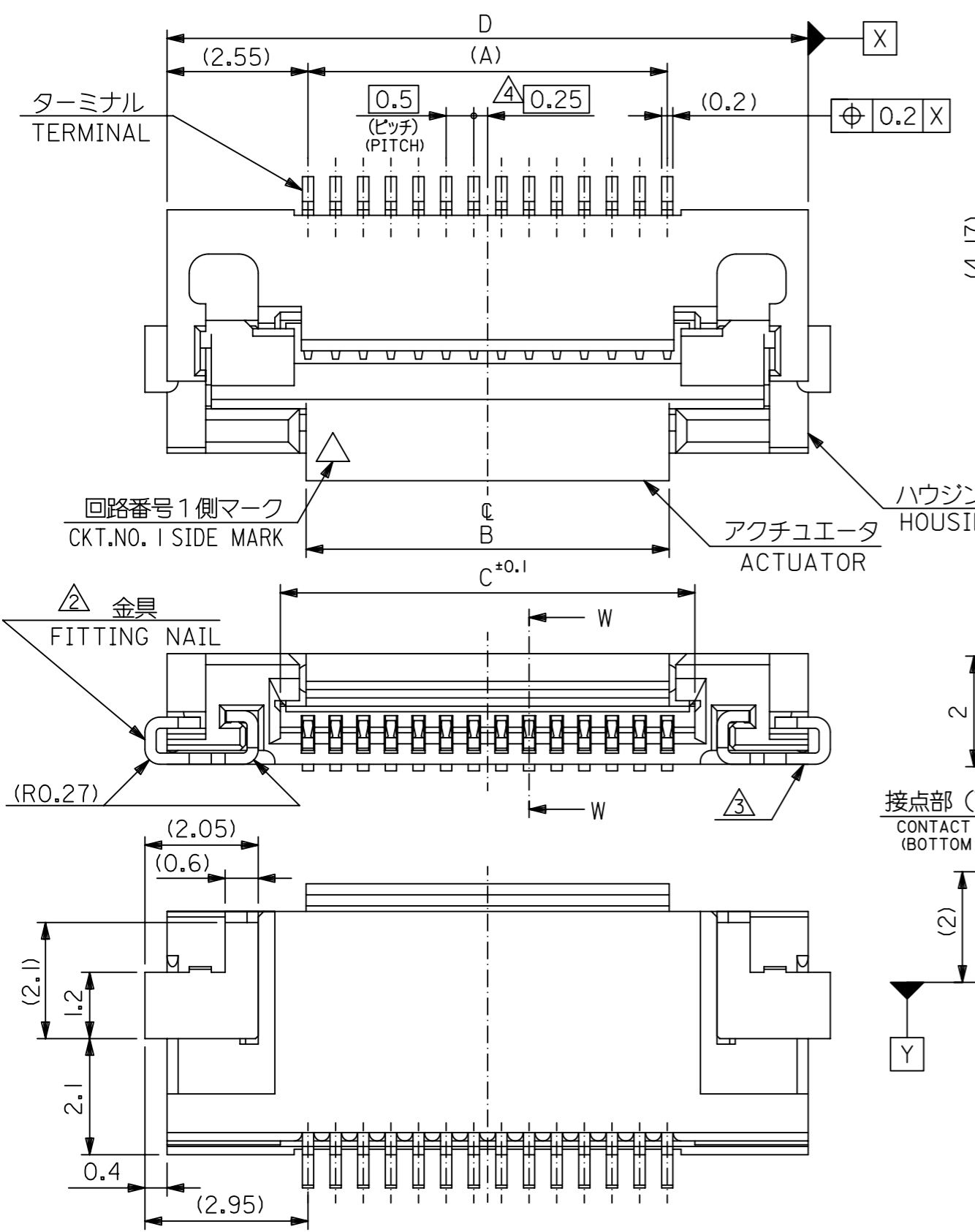
THIS DRAWING CONTAINS INFORMATION THAT IS PROPRIETARY TO MOLEX ELECTRONIC TECHNOLOGIES, LLC AND SHOULD NOT BE USED WITHOUT WRITTEN PERMISSION										
EC NO: 111407 DRWN: YMIZUNO02 CHK'D: YKOBAYASHI02 APPR: TKUSUHARA01	2016/12/14	GENERAL TOLERANCES (UNLESS SPECIFIED)		DIMENSION UNITS	SCALE					
	2016/12/15	ANGULAR TOL ±		MM	---					
	2016/12/20	4 PLACES ±	DRWN BY	DATE		0.5 FFC/FPC ZIF SMT HSGASSY EMBSTPPKG				
		3 PLACES ±	YMIZUNO02	2016/12/14						
		2 PLACES ±	CHK'D BY	DATE						
	1 PLACE ±	YKOBAYASHI02	2016/12/15		PRODUCT CUSTOMER DRAWING					
	0 PLACES ±	APPR BY	DATE		SERIES	MATERIAL NUMBER	CUSTOMER			
		TKUSUHARA01	2016/12/20		52892	SEE SHEET 2	GENERAL			
		DRAFT WHERE APPLICABLE MUST REMAIN WITHIN DIMENSIONS		DRAWING SIZE	THIRD ANGLE PROJECTION	DOCUMENT NUMBER		DOC TYPE	DOC PART	SHEET NUMBER
				A3		528920001		PSD	000	1 OF 2



32	37.4	33.4	18.6	16.9	13.1	12.9	52892-2459	52892-2496	24
24	29.4	25.4	16.6	14.9	11.1	10.9	52892-2059	52892-2096	20
			14.6	12.9	9.1	8.9	52892-1659	52892-1696	16
			14.1	12.4	8.6	8.4	52892-1559	52892-1596	15
			11.6	9.9	6.1	5.9	52892-1059	52892-1096	10
			10.6	8.9	5.1	4.9	52892-0859	52892-0896	8
キャリアテープ幅 CARRIER TAPE WIDTH	F	E	(D)	(C)	(B)	(A)	CONNECTOR	MATERIAL NO.	CKT
								MODEL NO. 52892-**96	

THIS DRAWING CONTAINS INFORMATION THAT IS PROPRIETARY TO MOLEX ELECTRONIC TECHNOLOGIES, LLC AND SHOULD NOT BE USED WITHOUT WRITTEN PERMISSION

EC NO: 111407 DRWN: YMIZUNO02 CHK'D: YKOBAYASHI02 APPR: TKUSUHARA01	2016/12/14 2016/12/15 2016/12/20	GENERAL TOLERANCES (UNLESS SPECIFIED) ANGULAR TOL ± ° 4 PLACES ± 3 PLACES ± 2 PLACES ± 1 PLACE ± 0 PLACES ±	DIMENSION UNITS: MM SCALE: --- DRWN BY: YMIZUNO02 DATE: 2016/12/14 CHK'D BY: YKOBAYASHI02 DATE: 2016/12/15 APPR BY: TKUSUHARA01 DATE: 2016/12/20	<p>0.5 FFC/FPC ZIF SMT HSGASSY EMBSTPPKG</p> <p>PRODUCT CUSTOMER DRAWING</p> <p>SERIES: 52892 MATERIAL NUMBER: SEE CHART CUSTOMER: GENERAL</p> <p>DOCUMENT NUMBER: 528920001 DOC TYPE: PSD DOC PART: 000 SHEET NUMBER: 2 OF 2</p>
	DRAFT WHERE APPLICABLE MUST REMAIN WITHIN DIMENSIONS	DRAWING SIZE: A3 THIRD ANGLE PROJECTION		
	RELEASED	DIMENSIONS: A3 THIRD ANGLE PROJECTION		
	EC NO: 111407 DRWN: YMIZUNO02 CHK'D: YKOBAYASHI02 APPR: TKUSUHARA01	DIMENSION UNITS: MM SCALE: --- DRWN BY: YMIZUNO02 DATE: 2016/12/14 CHK'D BY: YKOBAYASHI02 DATE: 2016/12/15 APPR BY: TKUSUHARA01 DATE: 2016/12/20		



注記 NOTES

- 1.材質 MATERIAL
 ハウジング : 46ナイロン、ガラス充填、UL94V-0、ナチュラル(白色)
 HOUSING : 46NYLON, GLASS FILLED, UL94V-0, NATURAL(WHITE)
 アクチュエータ : PPS、ナチュラル(茶色)、ガラス充填、UL94V-0
 ACTUAOR : PPS, NATURAL(BROWN), GLASS FILLED, UL94V-0
 ターミナル : リン青銅 (t=0.2)
 TERMINAL : PHOSPHOR BRONZE (t=0.2)
 めっき PLATING
 接点部 : 金めっき (0.1μm以上)
 テール部 : 金めっき (0.03μm以上)
 ニッケル下地 (1.5μm以上)
 CONTACT : GOLD PLATING (0.1 MICROMETER MINIMUM)
 TAIL : GOLD PLATING (0.03 MICROMETER MINIMUM)
 OVER NICKEL PLATING (1.5 MICROMETER MINIMUM)
 金具 : リン青銅 (t=0.2)
 FITTING NAIL : PHOSPHOR BRONZE (t=0.2)
 めっき PLATING
 錫めっき (1.0μm以上)
 ニッケル下地 (1.0μm以上)
 CONTACT : GOLD PLATING (1.0 MICROMETER MINIMUM)
 OVER NICKEL PLATING (1.0 MICROMETER MINIMUM)
- △2 パターンはくり止め用金具
 FITTING NAIL FOR PREVENTION OF PEELING OF PCB PATTERN.
- △3 ソルダータール半田付け面のズレ量、及び金具半田付け面のズレ量は、基準面 Y に対し上方向0.05MAX.、下方向0.2MAX.とする。
 MISALIGNMENT OF SOLDER TAILS AND FITTING NAILS FROM Y
 UPPER DIREVTION : 0.05 MAX. , LOWER DIRECTION : 0.2 MAX.
- △4 偶数極に適用。
 APPLY FOR EVEN CIRCUIT.
- 5.テール及びネイルの平坦度は、0.1 MAX.
 TAIL AND NAIL COPLANARITY TO BE 0.1 MAX.
- 6.本製品は52892シリーズの金めっき品である。
 THIS PRODUCT IS GOLD PLATING OF 52892 SERIES.
- 7.ELV及びRoHS適合品。
 ELV AND RoHS COMPLIANT.

16.6	12.5	11.57	11.5	52892-2496	52892-2459	24
14.6	10.5	9.57	9.5	52892-2096	52892-2059	20
12.6	8.5	7.57	7.5	52892-1696	52892-1659	16
12.1	8.0	7.07	7.0	52892-1596	52892-1559	15
9.6	5.5	4.57	4.5	52892-1096	52892-1059	10
8.6	4.5	3.57	3.5	52892-0896	52892-0859	8
D	C	B	(A)	EMBOSSED TAPE	MATERIAL NO.	CKT
				ORDER NO.	MODEL NO. 52892-**59	

GENERAL TOLERANCES (UNLESS SPECIFIED)

10 UNDER	±0.2
10 OVER 30 UNDER	±0.25
30 OVER	±0.3

THIS DRAWING CONTAINS INFORMATION THAT IS PROPRIETARY TO MOLEX ELECTRONIC TECHNOLOGIES, LLC AND SHOULD NOT BE USED WITHOUT WRITTEN PERMISSION

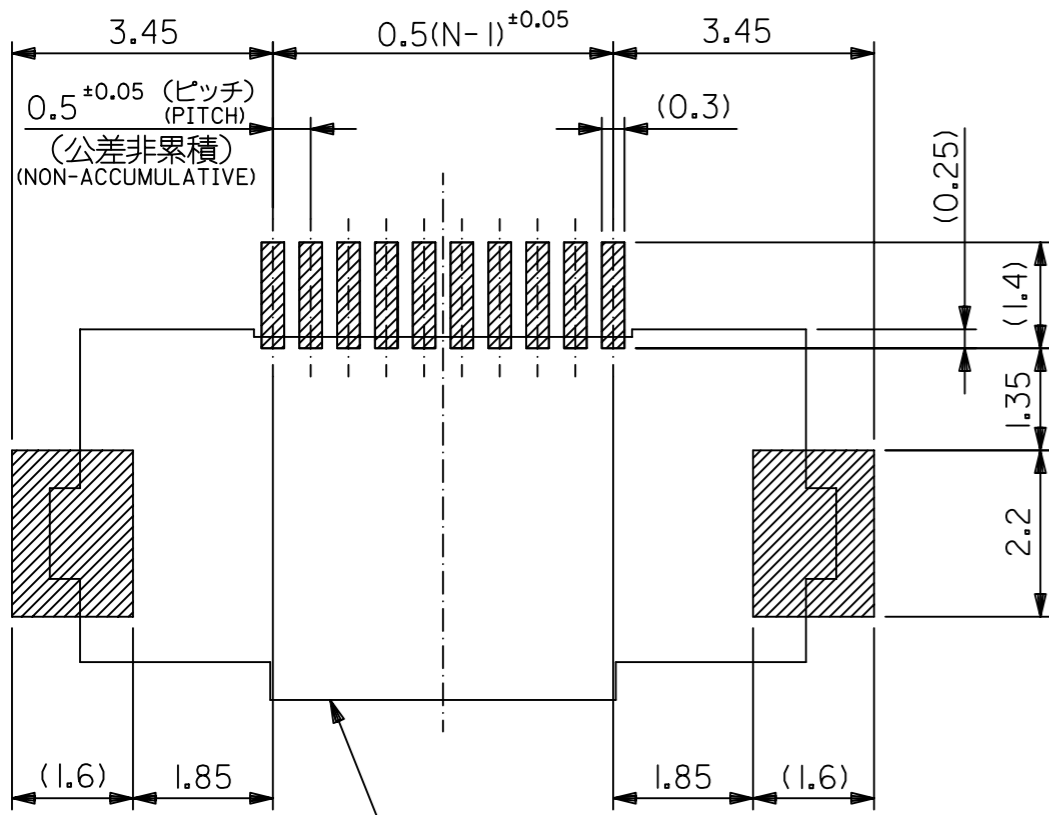
RELEASED	2016/12/14	DRWN: YMIZUNO02	2016/12/15	CHK'D: YKOBAYASHI02	2016/12/20	APPR: TKUSUHARA01
EC NO: 111407						
GENERAL TOLERANCES (UNLESS SPECIFIED)			DIMENSION UNITS		SCALE	
ANGULAR TOL ± 3.0 °			MM		---	
4 PLACES ± 0.2			DRWN BY		DATE	
3 PLACES ± 0.2			YMIZUNO02		2016/12/14	
2 PLACES ± 0.2			CHK'D BY		DATE	
1 PLACE ± 0.2			YKOBAYASHI02		2016/12/15	
0 PLACES ± 0.2			APPR BY		DATE	
DRAFT WHERE APPLICABLE MUST REMAIN WITHIN DIMENSIONS			TKUSUHARA01		2016/12/20	
			DRAWING SIZE		THIRD ANGLE PROJECTION	
			A3			

molex

0.5 FFC/FPC ZIF HSG ASSY

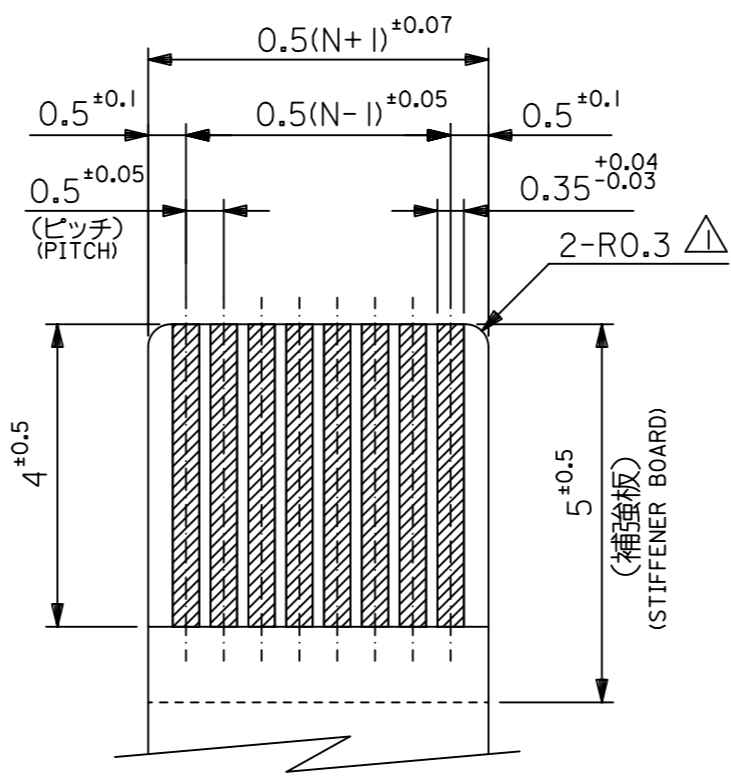
PRODUCT CUSTOMER DRAWING

SERIES	MATERIAL NUMBER	CUSTOMER	
52892	SEE CHART	GENERAL	
DOCUMENT NUMBER	DOC TYPE	DOC PART	SHEET NUMBER
528921001	PSD	000	1 OF 2

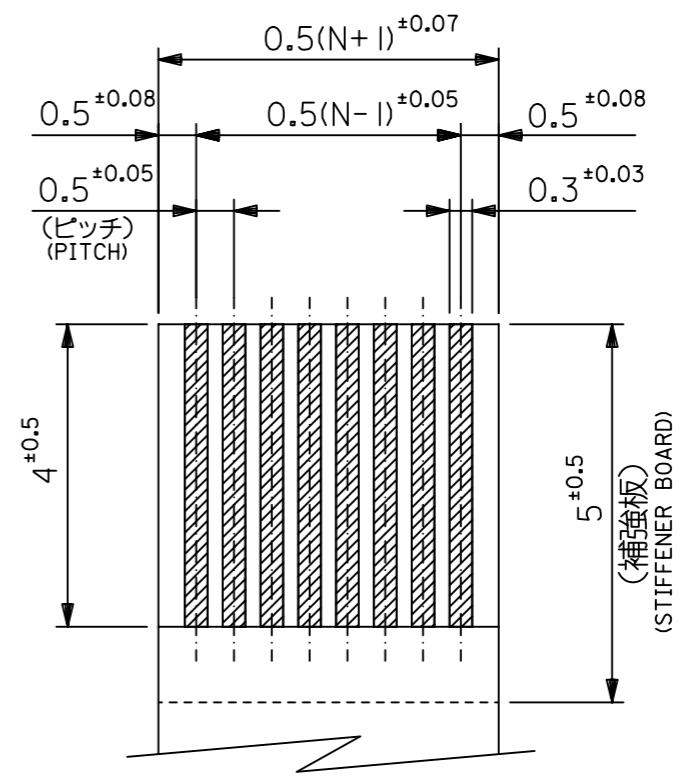


コネクタ位置
CONNECTOR POSITION

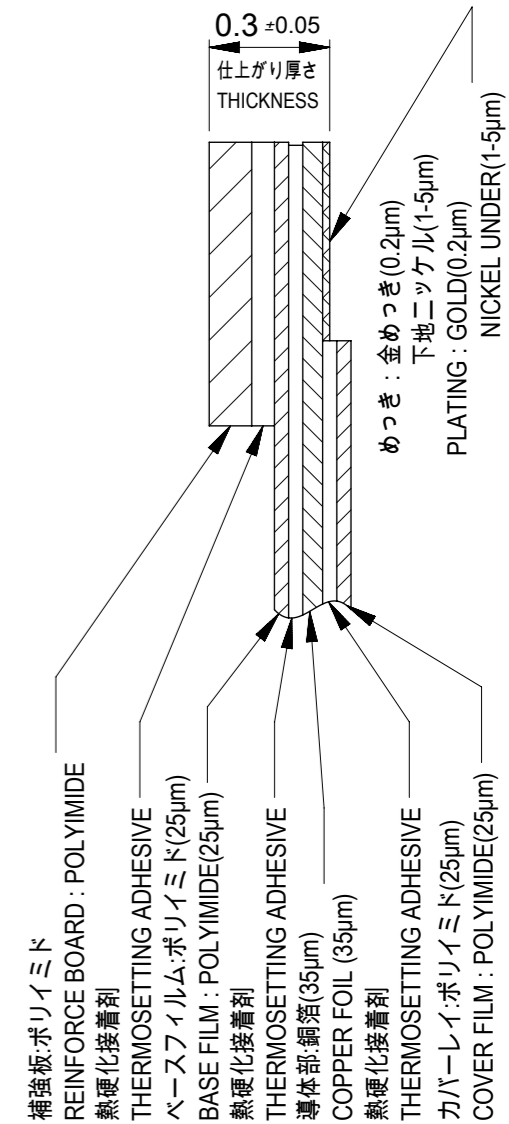
参考基板レイアウト
RECOMMENDED P.C. BOARD
PATTERN DIMENSION (REF.)
(マウント面)
(MOUNTING SIDE)



適合FPC推奨寸法
APPLICABLE FPC
RECOMMENDED DIMENSION
(仕上がり厚さ: 0.3 ± 0.05)
(THICKNESS: 0.3 ± 0.05)



適合FFC推奨寸法
APPLICABLE FFC
RECOMMENDED DIMENSION
(仕上がり厚さ: 0.3 ± 0.05)
(THICKNESS: 0.3 ± 0.05)



FPC構成推奨仕様
STRUCTURE OF FPC

注記 NOTES

- 1. R0.3はFPCの導体部にかからないこと。
R0.3 MUST NOT BE OVERLAPPED TO PATTERN OF FPC.
- 2. FPCについて ABOUT FPC :
打ち抜き方向は導体側から補強板側を推奨します。
導体部については軟箔銅35µmまたは50µmを推奨します。
補強フィルム材質はポリイミドを推奨します。ベースフィルムは25µmを推奨します。
接着剤は熱硬化接着剤を推奨します。
尚、接着剤の接点部への付着は導通不良の原因になりますので、染み出しが無い様、お願い致します。
RECOMMENDED PUNCHING DIRECTION : FROM CONDUCTOR SIDE TO STIFFENER SIDE
RECOMMENDED CONDUCTOR SPEC : SOFT COPPER FOIL
RECOMMENDED CONDUCTOR THICKNESS : 35 MICROMETER OR 50 MICROMETER
RECOMMENDED STIFFENER MATERIAL : POLYIMIDE
RECOMMENDED BASE FILM THICKNESS : 25 MICROMETER
RECOMMENDED ADHESIVE : THERMOSETTING ADHESIVE
NOTE : PLEASE PUT APPROPRIATE AMOUNT OF ADHESIVE ON ADHEREND BECAUSE THERE IS A POSSIBILITY THAT THE EXTRA ADHESIVE CAUSES THE DEFECT IN ELECTRICAL CONTINUITY.

GENERAL TOLERANCES (UNLESS SPECIFIED)		
10 UNDER		±0.2
10 OVER 30 UNDER		±0.25
30 OVER		±0.3

THIS DRAWING CONTAINS INFORMATION THAT IS PROPRIETARY TO MOLEX ELECTRONIC TECHNOLOGIES, LLC AND SHOULD NOT BE USED WITHOUT WRITTEN PERMISSION

EC NO: 111407 DRWN: YMIZUNO02 CHK'D: YKOBAYASHI02 APPR: TKUSUHARA01	2016/12/14	2016/12/15	2016/12/20	GENERAL TOLERANCES (UNLESS SPECIFIED) ANGULAR TOL ± 3.0 °	DIMENSION UNITS: MM SCALE: ---			
	4 PLACES	± 0.2	DRWN BY: YMIZUNO02 DATE: 2016/12/14	DRAFT WHERE APPLICABLE MUST REMAIN WITHIN DIMENSIONS	THIRD ANGLE PROJECTION		0.5 FFC/FPC ZIF HSG ASSY	
	3 PLACES	± 0.2	CHK'D BY: YKOBAYASHI02 DATE: 2016/12/15					PRODUCT CUSTOMER DRAWING
	2 PLACES	± 0.2	APPR BY: TKUSUHARA01 DATE: 2016/12/20					
1 PLACE	± 0.2	DRAWING SIZE: A3	DOCUMENT NUMBER: 528921001 DOC TYPE: PSD DOC PART: 000 SHEET NUMBER: 2 OF 2					
0 PLACES	± 0.2							