

RECOMMENDED HOLE LAYOUT FOR .070/(1.78)MAX. THICK P.C.BOARD

(SCALE: 2X)

CIRCUIT SIZE	DIM. "A"	DIM. "B"	DIM. "C"	DIM. "D"	DIM. "E"
4	.17 (4.2)	.38 (9.6)	.535 (13.60)	.590 (15.00)	.685 (17.40)
6	.33 (8.4)	.54 (13.8)	.701 (17.80)	.756 (19.20)	.850 (21.60)
10	.66 (16.8)	.87 (22.2)	1.031 (26.20)	1.087 (27.60)	1.181 (30.00)
12	.83 (21.0)	1.04 (26.4)	1.187 (30.40)	1.252 (31.80)	1.346 (34.20)
14	.99 (25.2)	1.20 (30.6)	1.362 (34.60)	1.417 (36.00)	1.512 (38.40)
16	1.16 (29.4)	1.37 (34.8)	1.528 (38.80)	1.583 (40.20)	1.677 (42.60)
18	1.32 (33.6)	1.54 (39.0)	1.693 (43.00)	1.748 (44.40)	1.843 (46.80)
24	1.82 (46.2)	2.03 (51.6)	2.189 (55.60)	2.244 (57.00)	2.339 (59.40)

### LEGEND

46011 - \* \* 0 \*

BASE NUMBER

CIRCUIT SIZE

HOUSING MATERIAL & PLATING

- 0 = V-2 / TIN
- 1 = V-2 / GOLD
- 2 = V-0 / TIN
- 3 = V-0 / GOLD

### NOTES:

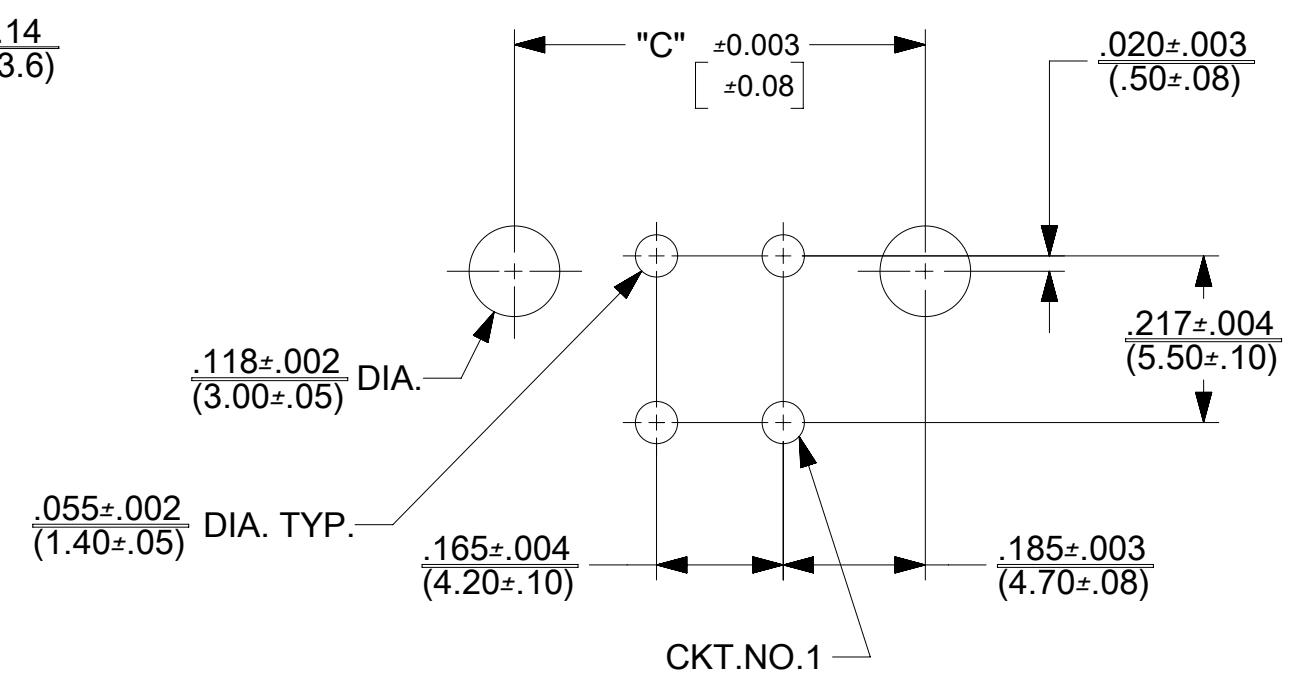
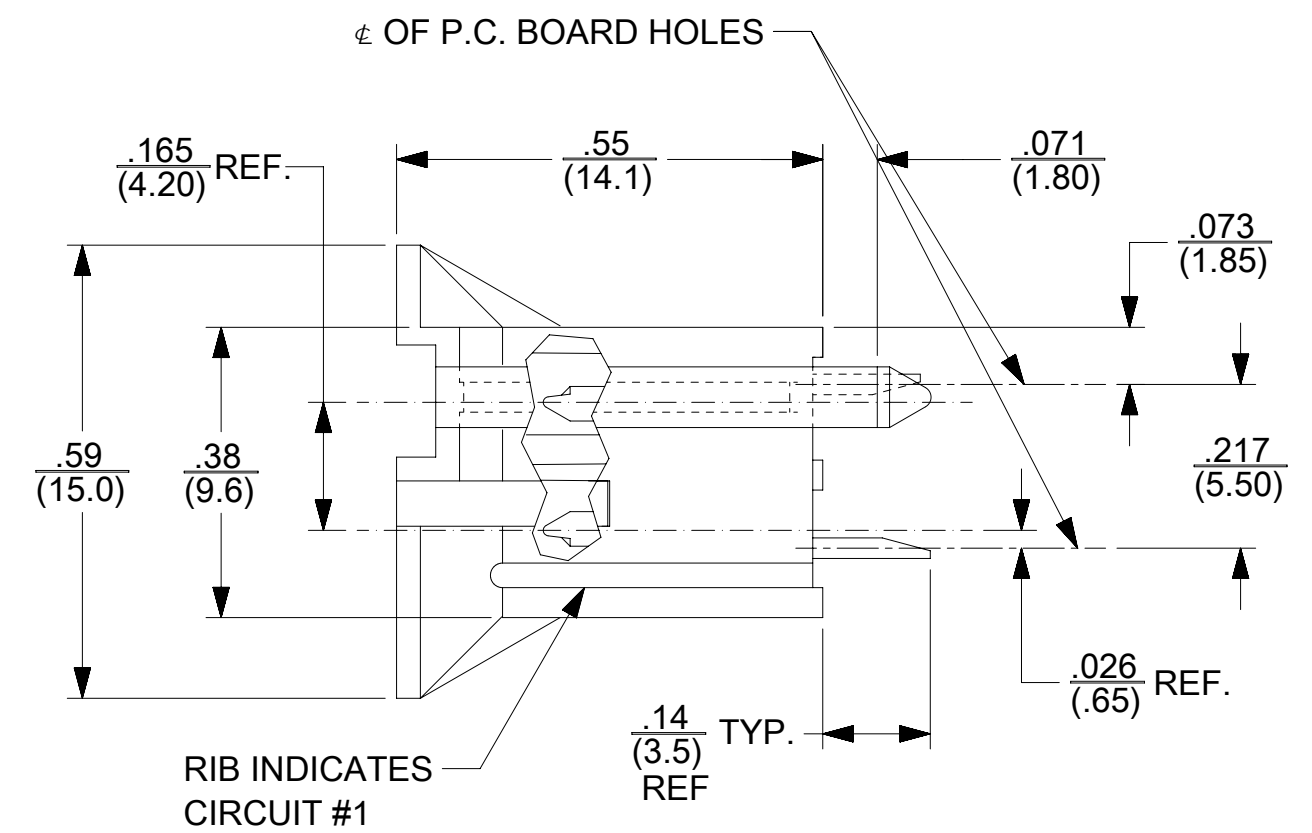
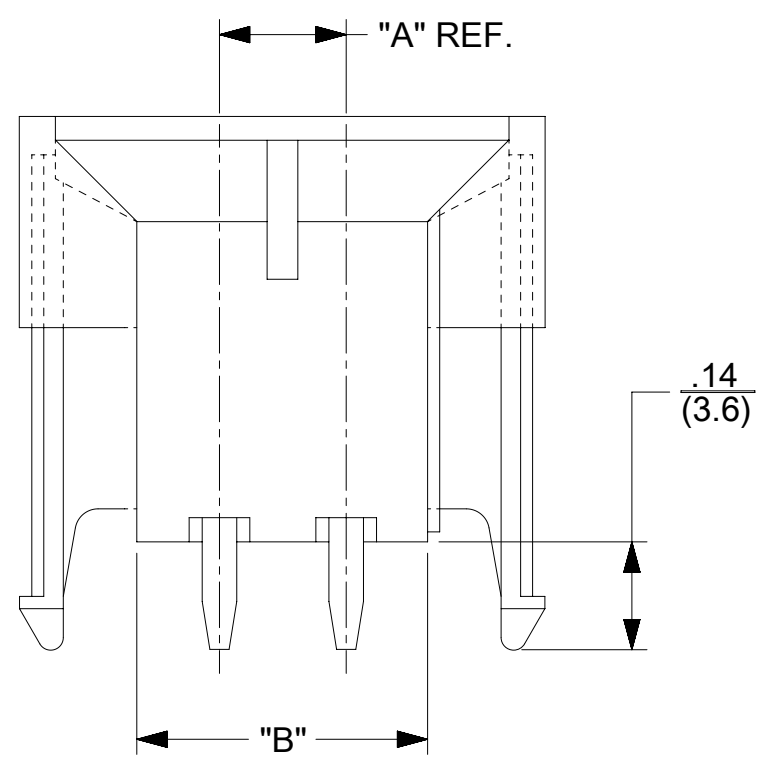
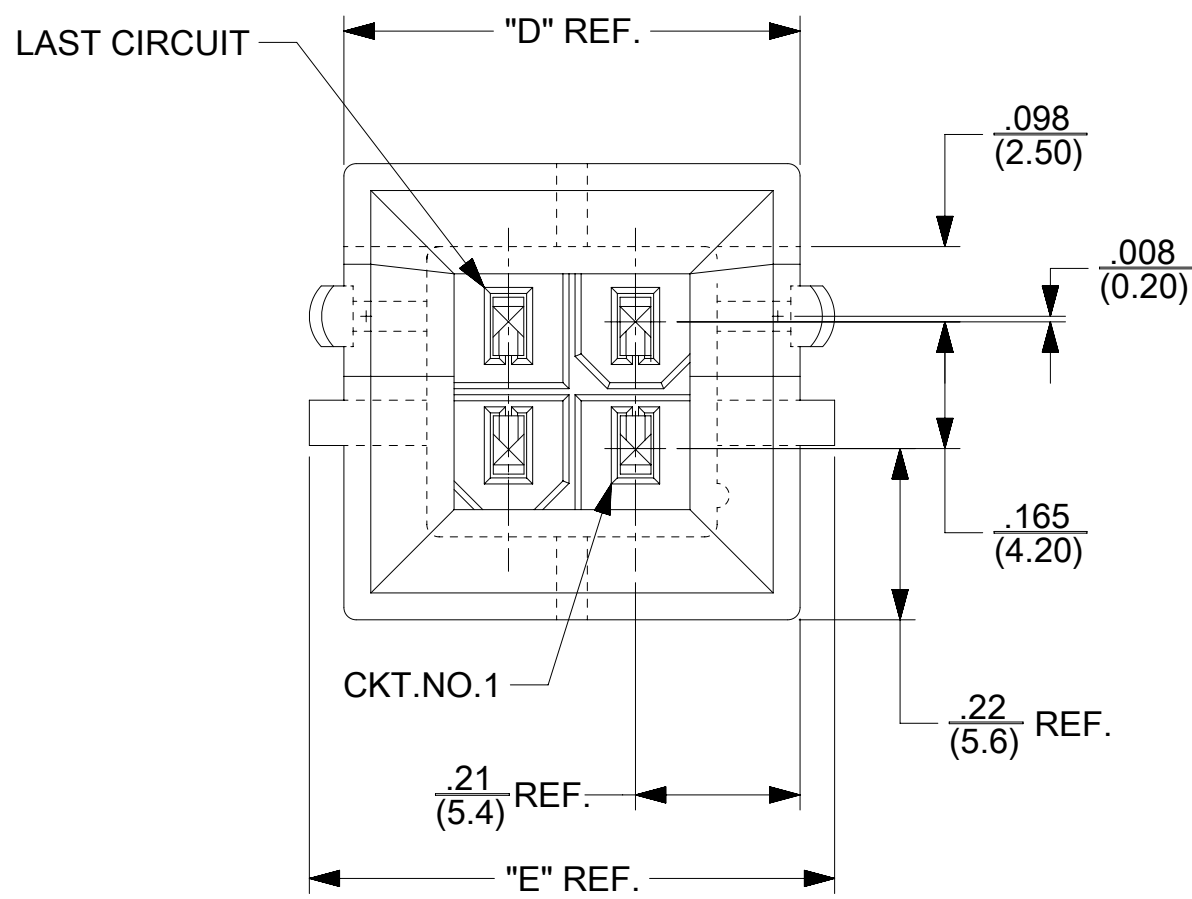
- 1) HOUSING MATERIAL & PLATING:
  - 0 = NYLON 6/6, UNFILLED UL 94V-2, COLOR: NATURAL, MATTE TIN PLATING
  - 1 = NYLON 6/6, UNFILLED UL 94V-2, COLOR: NATURAL, SELECT GOLD PLATING
  - 2 = NYLON 6/6, UNFILLED UL 94V-0, COLOR: NATURAL, MATTE TIN PLATING
  - 3 = NYLON 6/6, UNFILLED UL 94V-0, COLOR: NATURAL, SELECT GOLD PLATING
- TERMINAL MATERIAL : COPPER ALLOY
- 2) TERMINAL PLATING:
  - ("TIN") .000100/(.00254) MIN. MATTE TIN OVER .000050/(.00127) MIN. NICKEL OVERALL.
  - ("GOLD") .000030/(.00076) MIN. SELECT GOLD & .000100/(.00254) MIN. MATTE TIN OVER .000050/(.00127) MIN. NICKEL OVERALL.
- 3) PRODUCT SPECIFICATION: PS-45750-001
- 4) PACKAGING SPECIFICATION: PK-42440-001.
- 5) 6-24 CKT. PARTS MATE WITH MINI-FIT JR. RECEPTACLE 5557, VERTICAL RECEPTACLE HEADER 46010 & BMI RECEPTACLES 42474, AND 44516. 4 CKT PART MATES WITH 42474,44516 AND 46010 ONLY.
- 6) RIB LOCATION IS DETERMINED BY MOLD DESIGN FOR MANUFACTURING EASE AND THE LOCATION DOES NOT AFFECT PART FUNCTION OR PERFORMANCE. LOCATION OF RIBS MAY VARY ON PARTS WITHIN MANUFACTURING LOT OR SHIPMENT. THIS DRAWING SHOWS TYPICAL RIB LOCATIONS.
- 7) CONNECTOR ASSEMBLIES ARE NOT TO BE MATED OR UNMATED WHILE CIRCUITS ARE LIVE.
- 8) PART ALLOWS FOR UP .100/(2.54) MISALIGNMENT WITH MATING RECEPTACLE IN ANY DIRECTION. SEE MATING CONNECTOR DRAWINGS FOR SPECIFIC ALLOWANCES.
- 9) THIS PART CONFORMS TO CLASS B REQUIREMENTS OF COSMETIC SPECIFICATION PS-45499-002.
- 10) CONNECTOR IS NOT DESIGNED FOR CURRENT SHARING.
- 11) 12 CIRCUIT PARTS HAVE A SLOT BETWEEN CIRCUITS 7 AND 8.

QUALITY SYMBOLS	THIS DRAWING CONTAINS INFORMATION THAT IS PROPRIETARY TO MOLEX INCORPORATED AND SHOULD NOT BE USED WITHOUT WRITTEN PERMISSION		GENERAL TOLERANCES (UNLESS SPECIFIED)		DIMENSION UNITS		SCALE				
▽ = 0	ADD 46011-5001		ANGULAR TOL ± 1/2 °		IN/MM		4:1				
▽ = 0	2015/09/08		4 PLACES ± ---		DRWN BY		DATE		PRODUCT CUSTOMER DRAWING		
▽ = 0	2015/10/07		3 PLACES ± ---		TGREGORI		2006/05/19				
▽ = 0	2015/10/07		2 PLACES ± 0.25		CHKD BY		DATE		DOCUMENT NUMBER: SD-46011-001 DOC TYPE: PSD DOC PART: 000 SHEET NUMBER: 1 OF 2		
▽ = 0	2015/10/07		1 PLACE ± 0.38		JCOMERCI		DATE				
□ = 0	2015/10/07		0 PLACES ±		JCOMERCI		DATE		DIMENSION UNITS: C THIRD ANGLE PROJECTION		
■ = 0	2015/10/07		DRAFT WHERE APPLICABLE MUST REMAIN WITHIN DIMENSIONS		DRAWING SIZE		THIRD ANGLE PROJECTION				
▽ = 0	2015/10/07		DRAFT WHERE APPLICABLE MUST REMAIN WITHIN DIMENSIONS		C		THIRD ANGLE PROJECTION		EC NO: 101245 DRWN: NK02 CHKD: FSMITH APPR: FSMITH		
	2015/10/07		DRAFT WHERE APPLICABLE MUST REMAIN WITHIN DIMENSIONS		C		THIRD ANGLE PROJECTION				
	2015/10/07		DRAFT WHERE APPLICABLE MUST REMAIN WITHIN DIMENSIONS		C		THIRD ANGLE PROJECTION		B2		

PART NUMBER	CIRCUIT SIZE	U.L. RATING	PLATING
46011-0400	4	V-2	TIN
46011-0401	4	V-2	GOLD
46011-0402	4	V-0	TIN
46011-0403	4	V-0	GOLD
46011-0600	6	V-2	TIN
46011-0601	6	V-2	GOLD
46011-0602	6	V-0	TIN
46011-0603	6	V-0	GOLD
46011-1000	10	V-2	TIN
46011-1001	10	V-2	GOLD
46011-1002	10	V-0	TIN
46011-1003	10	V-0	GOLD
46011-1200	12	V-2	TIN
46011-1201	12	V-2	GOLD
46011-1202	12	V-0	TIN
46011-1203	12	V-0	GOLD
46011-1400	14	V-2	TIN
46011-1401	14	V-2	GOLD
46011-1402	14	V-0	TIN
46011-1403	14	V-0	GOLD
46011-1600	16	V-2	TIN
46011-1601	16	V-2	GOLD
46011-1602	16	V-0	TIN
46011-1603	16	V-0	GOLD
46011-1800	18	V-2	TIN
46011-1801	18	V-2	GOLD
46011-1802	18	V-0	TIN
46011-1803	18	V-0	GOLD
46011-2400	24	V-2	TIN
46011-2401	24	V-2	GOLD
46011-2402	24	V-0	TIN
46011-2403	24	V-0	GOLD

PART NUMBERS WITH VOIDED CIRCUITS

PART NUMBER	CIRCUIT SIZE	U.L. RATING	PLATING	VOIDED CIRCUITS
46011-5001	14	V-0	GOLD	4,11



RECOMMENDED HOLE LAYOUT FOR .070(1.78) MAX. THICK P.C. BOARD

QUALITY SYMBOLS ▽ = 0 ▽ = 0 ▽ = 0 ▼ = 0 ▽ = 0 ☒ = 0 ■ = 0 ▽ = 0	THIS DRAWING CONTAINS INFORMATION THAT IS PROPRIETARY TO MOLEX INCORPORATED AND SHOULD NOT BE USED WITHOUT WRITTEN PERMISSION SEE SHEET 1 EC NO: 101245 DRWN: NKN02 CHKD: FSMITH APPR: FSMITH 2015/09/08 2015/10/07 2015/10/07	GENERAL TOLERANCES (UNLESS SPECIFIED) ANGULAR TOL ± 1/2 °	DIMENSION UNITS IN/MM	SCALE 4:1		
		4 PLACES ± --- 3 PLACES ± --- 2 PLACES ± 0.25 1 PLACE ± 0.38 0 PLACES ±	DRWN BY TGREGORI	DATE 2006/05/19		MINI-FIT VERTICAL BMI HEADER ASSEMBLY (HCS PLUS SERIES)
		DRAFT WHERE APPLICABLE MUST REMAIN WITHIN DIMENSIONS	CHKD BY JCOMERCI	DATE		
		DRAWING SIZE C	THIRD ANGLE PROJECTION	APPR BY JCOMERCI		DATE
RELEASE STATUS P1	RELEASE DATE 2015/10/07 18:00:37	DOCUMENT NUMBER SD-46011-001	DOC TYPE PSD	DOC PART 000	SHEET NUMBER 2 OF 2	